



CITY OF SELAH
CITY COUNCIL
AGENDA ITEM SUMMARY



Council Meeting Action Item

7/9/2019

O – 5

Title: Ordinance creating a new municipal code Title 13 entitled, “Public Works Improvements”; adopting a new municipal code Chapter 13.01 entitled, “City of Selah Design, Construction Standards, and Specifications for Public Works Improvements”; Adopting a Uniform Design, Construction Standards, and Specifications Manual for Public Works Improvements.

From: Joe Henne, Public Works Director

Action Requested: Approval

Staff Recommendation: Approval of the accompanying ordinance.

Board/Commission Recommendation: Approval

Fiscal Impact: N/A

Funding Source: N/A

Background / Findings & Facts: The City of Selah Public Works Department has identified that the City of Selah has not updated many of its design, and construction specifications for water, sewer, storm water, and public streets, since the 1970’s. Therefore the department is recommending adoption of the City of Selah Design, Construction Standards, and Specifications Manual for Public Works Improvements, attached as Exhibit “A” to ensure that all new development and public works projects protects the public’s health, safety and welfare.

Recommended Motion: I move that the City Council pass the attached ordinance.



CITY OF SELAH
CITY COUNCIL
AGENDA ITEM SUMMARY



Record of all prior actions taken by the City Council and/or a City Board, City Committee, Planning Commission, or the Hearing Examiner (where applicable)

Date:

Action Taken:

10/23/18

Planning Commission Open Record Public Hearing and Recommendation

ORDINANCE NO. _____

AN ORDINANCE CREATING A NEW MUNICIPAL CODE TITLE 13 ENTITLED, “PUBLIC WORKS IMPROVEMENTS”; ADOPTING A NEW MUNICIPAL CODE CHAPTER 13.01 ENTITLED, “CITY OF SELAH DESIGN, CONSTRUCTION STANDARDS, AND SPECIFICATIONS FOR PUBLIC WORKS IMPROVEMENTS”; ADOPTING A UNIFORM DESIGN, CONSTRUCTION STANDARDS, AND SPECIFICATIONS MANUAL FOR PUBLIC WORKS IMPROVEMENTS; PROVIDING FOR SEVERABILITY; AND, ESTABLISHING AN EFFECTIVE DATE

WHEREAS, RCW Chapters 36.70A, and 35.78 authorize municipalities within the State of Washington to; (1) adopt comprehensive plans; (2) development regulations; and (3) public works design and construction standards to provide for the orderly design, construction, and extension of public utilities and development; and,

WHEREAS, the City of Selah Public Works Department has identified that the City of Selah has not updated many of its design, and construction specifications for water, sewer, storm water, and public streets, since the 1970’s. Therefore the department is recommending adoption of the City of Selah Design, Construction Standards, and Specifications Manual for Public Works Improvements, attached as Exhibit “A” to ensure that all new development and public works projects protects the public’s health, safety and welfare; and,

WHEREAS, the City Council of the City of Selah has examined and understands the scope and purpose of the codes and regulations adopted under this ordinance, and the amendments and additions thereto, and deems it to be in the public interest and for the general health, safety and welfare of the citizens of the City that such codes and amendments and additions thereto be adopted as the law of the City of Selah: and,

WHEREAS, pursuant to RCW 35A.12.140, a public hearing was held regarding the adoption of this ordinance and that one (1) copy of each code and regulation adopted hereunder together with a copy of this ordinance specifying amendments and additions thereto were filed in the Office of the Clerk-Treasurer ten (10) days prior to the public hearing; and all persons desiring to speak for and against the adoption of this ordinance and the amendments and supplements thereto have been heard as required by law;

NOW THEREFORE THE CITY COUNCIL OF THE CITY OF SELAH,
WASHINGTON, DO ORDAIN AS FOLLOWS:

Section 1. New Selah Municipal Code Title 13, Public Works Improvements.

The City of Selah hereby creates and adopts a new Title 13 to its Municipal Code entitled, “Public Works Improvements”.

Section 2. New Selah Municipal Code Chapter 13.01 entitled, “City of Selah Design, Construction Standard and Specifications for Public Works Improvements” created.

The City of Selah hereby creates and adopts a new Chapter 13.01 to its Municipal Code entitled, “City of Selah Design, Construction Standards and Specifications for Public Works Improvements”.

Section 3. New Selah Municipal Code Section 13.01.010, City of Selah Design, Construction Standards, and Specifications Manual for Public Works Improvements adopted.

Section 13.01.010 entitled “City of Selah Design, Construction Standards, and Specifications Manual for Public Works Improvements” is adopted as follows:

13.01.010 City of Selah Design, Construction Standards, and Specifications Manual for Public Works Improvements.

The City adopts and incorporates as if fully set forth herein the City of Selah Design, Construction Standards, and Specifications Manual for Public Works Improvements, as it now exists or is hereafter amended, as set forth in Exhibit “A”, as its standards and specifications for use with public works projects.

Section 4. New Selah Municipal Code Section 13.01.020, Copy of City of Selah Design, Construction Standards, and Specifications Manual for Public Works Improvements to be Maintained at Public Works adopted.

Section 13.01.020 entitled “Copy of City of Selah Design, Construction Standards, and Specifications Manual for Public Works Improvements Maintained at Public Works” is adopted as follows:

13.01.020 Copy of City of Selah Design, Construction Standards, and Specifications Manual for Public Works Improvements Maintained at Public Works.

The City of Selah shall maintain a copy of the City of Selah Design, Construction Standards, and Specifications Manual for Public Works Improvements as it exists now or is hereafter amended at its Public Works department and shall make it available for public inspection during regular business hours.

Section 4. Severability. If any section, sentence, clause or phrase of this Ordinance is held to be invalid or unconstitutional by a court of competent jurisdiction, such invalidity or unconstitutionality shall not affect the validity of constitutionality of any other section, clause or phrase of this Ordinance.

Section 5. Effective Date. This ordinance shall be published in the official newspaper of the City and shall take effect and be in full force five (5) days after the date of publication.

ORDAINED this 9th day of July, 2019.

Sherry Raymond, Mayor

ATTEST:

Dale E. Novobielski, Clerk Treasurer

APPROVED AS TO FORM:

Robert F. Noe, City Attorney

ORDINANCE NO. _____

CITY OF SELAH

DESIGN AND CONSTRUCTION STANDARDS AND SPECIFICATIONS FOR PUBLIC WORKS IMPROVEMENTS



**City of Selah
222 Rushmore Road
Selah, WA 98942**

**(509) 698-7365
FAX (509) 698-7372**

JULY 2019

CITY OF SELAH

DESIGN AND CONSTRUCTION STANDARDS AND SPECIFICATIONS FOR PUBLIC WORKS IMPROVEMENTS

**City of Selah
222 Rushmore Road
Selah, WA 98942**

**(509) 698-7365
FAX (509) 698-7372**

JULY 2019

INDEX

CHAPTER 1 - GENERAL	1
1. ENACTING AUTHORITY	1
2. PURPOSE	1
3. STATE ENVIRONMENT POLICY ACT (SEPA)	1
4. CONFLICTING PROVISIONS	1
5. SEVERANCE	1
6. PROCESS	1
7. ENGINEERING DESIGN PLAN REQUIREMENTS	3
8. PLAN REVIEW AND INSPECTION FEE	3
9. RECORD DRAWINGS	4
10. TRANSFER OF OWNERSHIP	4
11. EASEMENTS	4
12. UTILITIES	5
CHAPTER 2 - GENERAL PLAN REQUIREMENTS	6
GENERAL PLAN FORMAT	6
WATER SYSTEM PLAN REQUIREMENTS	7
SANITARY SEWER SYSTEM PLAN REQUIREMENTS	7
STORMWATER SYSTEM PLAN REQUIREMENTS	8
STREET PLAN REQUIREMENTS	9
CHAPTER 3 - GENERAL REQUIREMENTS FOR ALL PROJECTS	11
FORWARD	11
GENERAL	11
1-01 DEFINITIONS AND TERMS	12
1-04 SCOPE OF THE WORK	13
1-05 CONTROL OF WORK	14
1-07 LEGAL RELATIONS AND RESPONSIBILITIES TO THE PUBLIC	17
1-08 PROSECUTION AND PROGRESS	20
1-10 TEMPORARY TRAFFIC CONTROL	20
CHAPTER 4 - WATER SYSTEM IMPROVEMENTS	22
GENERAL REQUIREMENTS FOR WATER SYSTEM IMPROVEMENTS	22
SPECIAL PROVISIONS FOR WATER SYSTEM IMPROVEMENTS	23
7-09 WATER MAINS	23
7-12 VALVES FOR WATER MAINS	25
7-14 HYDRANTS	26
7-15 SERVICE CONNECTIONS	27
CHAPTER 5 - SANITARY SEWER SYSTEM IMPROVEMENTS	29
GENERAL REQUIREMENTS FOR SANITARY SEWER SYSTEM IMPROVEMENTS	29
SPECIAL PROVISIONS FOR SANITARY SEWER SYSTEM IMPROVEMENTS	30
7-05 MANHOLES, INLETS, CATCH BASINS, AND DRYWELLS	30
7-08 GENERAL PIPE INSTALLATION REQUIREMENTS	32
7-17 SANITARY SEWERS	32
7-18 SIDE SEWERS	33
CHAPTER 6 - STORMWATER IMPROVEMENTS	34
GENERAL REQUIREMENTS FOR STORMWATER IMPROVEMENTS	34
SPECIAL PROVISIONS FOR STORM SEWERS AND DRAINAGE	40
7-02 CULVERTS	40

7-04 STORM SEWERS..... 40
7-05 MANHOLES, INLETS, CATCH BASINS, AND DRYWELLS..... 41
7-08 GENERAL PIPE INSTALLATION REQUIREMENTS 43

CHAPTER 7 - STREET IMPROVEMENTS 44
 GENERAL REQUIREMENTS FOR STREETS 44
 TRAFFIC STUDIES..... 44
 STREET REQUIREMENTS 44
 SPECIAL PROVISIONS FOR STREETS 45
 2-03 ROADWAY EXCAVATION AND EMBANKMENT..... 45
 2-07 WATERING..... 45
 5-04 HOT MIX ASPHALT 46
 8-04 CURBS, GUTTERS, AND SPILLWAYS..... 49
 8-06 CEMENT CONCRETE DRIVEWAY ENTRANCES..... 50
 8-14 CEMENT CONCRETE SIDEWALKS 50
 8-20 ILLUMINATION 50
 8-21 PERMANENT SIGNING..... 53
 8-30 CONTROLLED DENSITY FILL..... 53

APPENDIX A - TRANSFER OF OWNERSHIP FORMS
APPENDIX B - STANDARD DETAILS

CHAPTER 1 – GENERAL

1. ENACTING AUTHORITY

These Design and Construction Standards are enacted by the City of Selah, in accordance with state law, to protect and preserve the public health, safety, and general welfare.

2. PURPOSE

The purpose of these Design Construction Standards is to provide consistent requirements, standards, and specifications for the design and construction of public works infrastructure improvements by the City and by private developers.

3. STATE ENVIRONMENT POLICY ACT (SEPA)

These Design and Construction Standards will not affect any considerations involving issues under the State Environmental Policy Act (SEPA). The City's responsible official will continue to make all necessary SEPA decisions when individual proposals are submitted.

4. CONFLICTING PROVISIONS

The standards, procedures, and requirements of these Design and Construction Standards are the minimum necessary to promote the health, safety, and welfare of the residents of the City of Selah. The City may adopt more rigorous or different standards, procedures, and requirements whenever necessary. If the provisions of these Design and Construction Standards conflict with one another, or if a provision of these Design and Construction Standards conflicts with the provision of the City Code or another Ordinance of the City, the most restrictive provision or the provision imposing the highest standard shall prevail.

5. SEVERANCE

If any provision of these Design and Construction Standards or its application to any person or circumstance is for any reason held to be invalid, the remainder of these Design and Construction Standards or the application of the provisions is not affected.

6. PROCESS

Design Phase

Any person, firm, or corporation (the "Developer") which intends to construct a public works improvement shall apply to the City Public Works Director. The request by the Developer shall include a map showing the area to be served; the number and type of proposed units, or the type and size of the proposed facility and a general layout of the development.

Upon receipt of the design requirements from the Public Works Director, the Developer shall employ a Consulting Engineer to prepare plans and specifications for the public works improvements in accordance with these Design and Construction Standards and the Selah Municipal Code. The Developer or its Consulting Engineer shall submit three (3) paper sets of plans and specifications for review by the City and/or the City's engineer.

The City shall review the initial submittal and indicate corrections or additions or request additional information and return one "red-lined" set to the Developer. The Developer shall make the required corrections and resubmit two (2) paper sets of revised plans and specifications to the City Public Works Department.

When it has been determined the plans and specifications indicate compliance with City of Selah Design and Construction Standards, the Developer shall submit the original plan tracings and specifications for final approval to the City. The cover sheet of the original plans shall contain an "APPROVED FOR CONSTRUCTION BY THE CITY OF SELAH" signature block. The City's responsible official will sign the plans. Such approved plans and specifications shall not be changed, modified, or altered without written authorization from the City Public Works Director. The Developer shall provide the City with a minimum of three (3) copies of the approved plan set and specifications for use by City Inspectors and City Departments as required.

Upon receipt by the Public Works Director of the plan review fee, as discussed in Chapter 1, Section 8, the approved original plans and specifications will be returned to the Developer.

Construction Phase

Before the Developer's Contractor commences any work, he shall be required to attend a Preconstruction Conference with the City Public Works Department, the City's Engineer, and utility companies as determined by the City of Selah. The Contractor will submit his insurance and construction schedule at this meeting. Additionally at the preconstruction meeting, the City will provide the developer with a list of all required inspections and/or tests that shall be conducted by a private consulting engineer, or certified testing firm.

All construction shall be inspected by the City of Selah or its authorized agent. The Contractor shall give ten (10) days minimum prior notice to the Public Works Director the start of any construction activities.

After cleanup by the Contractor and final inspection by the City, the City will calculate the inspection fees and submit them to the Developer. The Developer will pay the inspection fee, as discussed in Section 8, to the Public Works Department.

Inspection Phase

The Developer and his contractor(s) shall coordinate and direct all communications through the City Public Works Department. Under no circumstances shall the Developer or his contractor(s) contact the City's Engineers directly.

Prior to the start of construction within City right-of-way, or an approved project on private property, the Developer shall notify the City Public Works Department in writing at least 10 days in advance of starting work.

The Developer shall give the City timely notice (24 hours) that the work or any part thereof, is ready for inspection, and shall schedule the required inspection for the City's next available inspection time. In no event shall the work or any part thereof, be covered up until the City has completed its inspection and approved the same.

If any work should be covered up without prior inspection and approval by the City, it must, if required by the City, be uncovered for examination at the Developer's expense. The City and its representatives shall at all times have access to the work wherever it is in preparation or progress and the Developer shall provide proper facilities for such access and for such inspection. The Developer is reminded that 7 days advance written notice to the City Public Works Department is required prior to request for cut-ins and the final inspection.

The Developer shall make such reasonable tests of the work, at the Developer's expense, as the City shall request. If the specifications, the City's instruction, laws, ordinances, or any public authority shall require and work to be specially tested or approved, the Developer shall give the City timely notice of its readiness for inspection and, if the inspection is by other authority than the City, the date fixed for such inspection. All inspection by the City will be made with all reasonable promptness but, in not event, shall the lack of prompt inspections be construed to allow the Developer to cover up the work or any portion of it without inspection.

Re-examination of questioned work may be ordered by the City, and, if so ordered, the work must be uncovered by the Developer.

Final Inspection/Acceptance

Before final acceptance of the project by the City, the following conditions shall be met:

- a) All materials, completed work, and outside engineer-performed tests, shall be subject to final inspection by the City, with the Developer and his contractor(s) in attendance.
- b) All final record drawings shall be submitted to the City by the Developer.
- c) All applicable fees, connection charges, and other City costs as required shall be paid in full by the Developer.
- d) All testing shall be conducted as determined by the City. The City shall have the right to subject all piping, machinery and equipment and work to such tests as will, in the City's opinion, assist in determining whether the work has been faithfully performed. The City shall have the right to inspect all material and equipment storage sites.

7. ENGINEERING DESIGN PLAN REQUIREMENTS

All improvement plans, specifications, engineering calculations, diagrams, details, and other relevant data shall be designed and prepared by a Civil Engineer licensed by the State of Washington (Consultant), in accordance with Chapter 2 - General Plan Requirements.

8. PLAN REVIEW AND INSPECTION FEE

Plan review and inspection fees are hereby established to defray the administrative expense of plan review and inspection costs incurred by the City of Selah.

The plan review and inspection fee shall be the total actual costs incurred by the City of Selah, its agents, employees, and elected or appointed officials, for review and approval of the plans and specifications and for inspection of construction of the public works improvements. The fee shall include, but not be limited to, initial plan review, subsequent

meetings with the Developer, explanations to the Developer's engineering consultant, reviews of revised plans, construction inspection, re-inspections, and a final inspection prior to the expiration of the maintenance period.

The plan review fee shall be tabulated and sent to the Developer and paid by the Developer in full prior to the City releasing the approved original plans and specifications for construction or the issuance of a Building Permit.

The construction inspection fees shall be calculated at one hundred percent of the direct salary cost, plus thirty-five percent of such cost for overhead and fringe benefits, and any outside consultants retained by the city to evaluate any phase of construction shall be invoiced at actual cost plus fifteen percent. All fees shall be tabulated, sent to the Developer, and paid by the Developer in full prior to the City issuing a Certificate of Occupancy or final acceptance of the public works improvements.

9. RECORD DRAWINGS

The Developer's Consulting Engineer shall prepare and maintain a neatly marked, full-sized print set of record drawings showing the final location and layout of all new construction of the public facilities. Prior to final acceptance by the City of Selah, one (1) set of reproducible Record Drawings and two (2) sets of prints prepared by the Developer's engineer and clearly marked "Record Drawings" shall be delivered to the Public Works Director for review and acceptance.

10. TRANSFER OF OWNERSHIP

The Developer shall complete a Transfer of Ownership Form upon completion of the construction of the public works improvements and pending acceptance by the City. This form may be found in Appendix A.

11. EASEMENTS

Public utility easements shall be established for the location of new and future public improvements serving new land divisions and land developments. Easements shall also be granted across the front of new lots and existing lots to provide future utility access as required.

All easements required shall be prepared by the Developer on the proper form and format for recording at the Yakima County Auditor's Office. The easement legal description shall be prepared by a land surveyor licensed in the State of Washington. The executed and notarized easement document shall be submitted to the Public Works Director for recording.

Eight (8) foot wide utility easements shall be dedicated along the front of each lot in subdivisions and short subdivisions. Easements for new and/or future utility lines shall be a minimum of sixteen (16) feet wide, provided the width of the easements for buried utilities will be at least twice the depth of the planned excavation.

Utility easements shall be continuous and aligned from block to block within a subdivision and with easements in adjoining subdivisions to facilitate the extension and future extension of public utilities.

12. UTILITIES

All utilities shall be placed underground and installed at a depth of not less than three (3) feet.

CHAPTER 2 - GENERAL PLAN REQUIREMENTS

All improvement plans, details, specifications, engineering calculations, diagrams, and other relevant data shall be designed and prepared by a Civil Engineer licensed by the State of Washington.

GENERAL PLAN FORMAT

1. Plan sheets and profile sheets or combined plan and profile sheets and detail sheets shall be on a sheet size of 24" x 36" or 22" x 34".
2. The Cover sheet shall contain the following:
 - a. Name, address, and phone number of the owner/developer;
 - b. Name, address, and phone number and stamp of the Civil Engineer preparing the plans (Consultant);
 - c. "APPROVED FOR CONSTRUCTION BY THE CITY OF SELAH" with signature block for City final approval of the plans;
 - d. "APPROVED FOR CONSTRUCTION BY FIRE DISTRICT # ____" with signature block for final approval of the plans;
 - e. "APPROVED FOR CONSTRUCTION BY _____ IRRIGATION DISTRICT'S" with signature block for final approval of the plans;
 - f. Vicinity map showing the project site location;
 - g. An overall site plan with contours;
 - h. Table of Contents;
 - i. Applicable project information; and
 - j. The utility locate call # 1-800-424-5555.
3. Each sheet shall contain the following project information:
 - a. Project title and City project number, work order number, or LID number, if appropriate;
 - b. Quarter section, Section - Township - Range;
 - c. Sheet title;
 - d. Page (of page) numbering;
 - e. Revision block;
 - f. Subdivision or short plat name.
4. All plan sheets must have a NORTH arrow preferably pointing to the top of the sheet or to the left, and must indicate the drawing scale. All engineering plans must be drawn to an appropriate engineer's scale. For profiles, the vertical scale shall be 1"=2', 1"=5' or 1"=10'. The horizontal scale shall be the same for both plan and profile and shall normally be 1" = 20'. Plan and profile stationing shall generally read left to right.
5. The Vertical Datum for all plan submittals must be based on the City of Selah datum. The benchmark used shall be referenced on the plans. An assumed datum will not be accepted.
6. Existing features and topography within the project construction limits must be shown on the plans. This shall include existing road width and surfacing, utility poles, existing underground utilities and surface appurtenances, significant trees, landscaping, and other elements that may affect design/construction.
7. Plan sheets shall indicate all adjacent property lines, right-of-way lines, and easements.

8. Plan sheets shall show all horizontal survey control as required to properly locate and tie the improvements in horizontal location.

WATER SYSTEM PLAN REQUIREMENTS

See Chapter 4 for specific design requirements.

1. Show all existing and proposed water system features if known, including but not limited to:
 - a. Water mains;
 - b. Water valves;
 - c. Water meters;
 - d. Water service lines;
 - e. Fire hydrants;
 - f. Blow offs;
 - g. Air and vacuum release valve assemblies;
 - h. Pressure reducing valves;
 - i. Fire sprinkler system lines;
 - j. Double check valves;
 - k. Post indicator valves;
 - l. Thrust blocking.
2. Indicate all easements required for the water main extensions and future extensions.
3. Show the water system and the sanitary sewer system on the same plan and profile view for verification of minimum separation requirements. The design information for each system may be on individual drawings for that system.
4. Show the length, size, and pipe type for all main extensions, fire sprinkler system services, and domestic services where applicable.
5. Identify all joint connections; provide detail of all non-standard joints.
6. Show by station or dimension the location of all fire hydrants, tees, crosses, and services relative to centerline or property lines.
7. A profile view shall be shown for all City water main extensions, aligned if practical with the plan view. Clearly indicate the horizontal and vertical scales.
8. Show the minimum cover and minimum separation on each sheet.
9. In the profile view, show all utilities crossing the proposed water main.
10. When an irrigation system is to be transferred to City ownership, that system design shall meet the plan requirements above.

SANITARY SEWER SYSTEM PLAN REQUIREMENTS

See Chapter 5 for specific design requirements.

1. Show all existing and proposed sanitary sewer system features including, but not limited to, the following:
 - a. Sewer lines, gravity and force mains;

- b. Side service, proposed locations;
 - c. Manholes;
 - d. Clean outs;
 - e. Pump stations.
2. Indicate all easements required for the sanitary sewer line extensions and laterals.
 3. Provide an overall site plan of development with contours, to show that all lots/parcels will be served by the proposed sewer system at design depth for all new development.
 4. Show the sanitary sewer system and water system on the same plan and profile for verification of minimum separation requirements. The design information for each may be on individual drawings for that system.
 5. Slope, length, size, and pipe type shall be indicated for all lines and side sewers. Pipe length shall be measured from centerline of manholes. The minimum sewer line size allowed will be eight (8) inches in diameter.
 6. Provide a profile for each sanitary sewer line extension. Clearly indicate the vertical and horizontal scale. Show the profile on the same sheet with, and aligned underneath, the plan view as practical.
 7. The plan and profile must show the location of all existing and proposed gas, water, irrigation, storm drain, and other utility lines and crossings.
 8. Generally show all vertical data in the profile view and all horizontal data in the plan view. It is not desirable to repeat the vertical data in the plan view unless it does not show in a profile.
 9. Each manhole shall be uniquely numbered and shall be stationed off of a referenced centerline. Indicate rim and invert elevations in and out at all manholes. Indicate the length of each side sewer stub, the centerline stationing for each side sewer, and the size.

STORMWATER SYSTEM PLAN REQUIREMENTS

See Chapter 6 for specific design requirements.

1. Show all existing features if known and all proposed storm sewer (drain) system features, including but not limited to:
 - a. Storm drain mains and lines;
 - b. Catch basins;
 - c. Inlets;
 - d. Infiltration trenches;
 - e. Retention systems;
 - f. Biofiltration swales;
 - g. Culverts;
 - h. Streams;
 - i. Ditches;
 - j. Natural drainage swales;
 - k. Headwalls;
 - l. Oil/water separator assembly;
 - m. Other requirements of the Department of Ecology Stormwater Management Manual for Eastern Washington.

2. Indicate all grate, rim, and invert elevations in the profile view.
3. Provide stormwater runoff and drainage facilities sizing calculations as described in Chapter 6.
4. Indicate all easements required for the storm drainage system.
5. The plan shall clearly indicate the location of the storm drainage items stationed from a referenced centerline.
6. Show all horizontal measurements and control in the plan view.
7. Show slope, length, size, and pipe material for all storm drain mains and lines.
8. All catch basins and inlets shall be uniquely numbered and shall be clearly labeled. Stationing and offsets shall be indicated from referenced centerline. Show all proposed storm drain features within the right of way in a profile.

STREET PLAN REQUIREMENTS

See Chapter 7 for specific design requirements.

1. Provide a Plan and Profile of all new public roadways or extensions of existing roadways. Provide topography within the R/W including utilities. Indicate all horizontal and vertical curve data, percent of grade, bearings, centerline stationing every 50 feet, finish grade elevations, and existing ground line. The profile of the existing centerline ground should extend a minimum of 100 feet before the beginning and at the end of the proposed improvements to show the gradient blend.
2. Provide a cross section or typical section of all rights of way indicating right-of-way width, centerline, pavement width, super-elevation or crown, sidewalk, street lights, curb and gutter, pavement, and base thickness of proposed section.
3. Show all existing and proposed roadway improvements, including but not limited to:
 - a. Pavement and edge of pavement;
 - b. Concrete curb and gutter;
 - c. Sidewalk(s);
 - d. Utilities (manholes, utility poles, pedestals, valves, water meters, etc.);
 - e. Sidewalk ramps;
 - f. Signs and Barricades;
 - g. Driveways;
 - h. Rockery or retaining walls;
 - i. Mailboxes;
 - j. Monuments;
 - k. Streetlights, conduit junction boxes, and service cabinet;
 - l. Compliance with ADA requirements.
4. Align the profile view with the plan view, if practical. Clearly indicate the horizontal and the vertical scale.
5. Show all Right-of-Way (R/W) lines, centerlines, and roadway widths for all rights of way.

6. Clearly differentiate between areas of existing pavement, areas of new pavement, and areas to be overlaid.
7. Clearly label all profiles with respective street names and plan sheet reference numbers if drawn on separate sheets.
8. For developments where road work is required on an existing street, development plans are required to include cross section of the existing street and spot elevations at proposed intersections and appurtenances to the project.

CHAPTER 3 - GENERAL REQUIREMENTS FOR ALL PROJECTS

FORWARD

The City of Selah has adopted the latest edition of the Standard Specifications for Road, Bridge, and Municipal Construction prepared by the Washington State Department of Transportation (WSDOT), and the American Public Works Association (APWA) General Special Provisions (GSP's) for Division One General Requirements as the standard specifications governing all design and construction of public works improvements by the City and by private developers.

All references hereinafter made to the "Standard Specifications" shall refer to the latest edition of the Standard Specifications described above. Except as may be amended, modified, or supplemented hereinafter, each section of the Standard Specifications shall be considered as much a part of these requirements as if they were actually set forth herein.

The Standard Specifications, General and Project Special Provisions, and City Standard Plans and Details contained in these **Design and Construction Standards** shall apply in their entirety to all City of Selah public works projects. These Design and Construction Standards have been prepared to form a compiled document intended to assist and inform developers, consultants, and contractors of the construction requirements to be used on proposed public works improvements.

The Standard Specifications, General and Project Special Provisions, and City Standard Plans and Details shall periodically be amended, revised and updated. It shall be the responsibility of each user of this information to verify that he has the latest revisions prior to submitting any work covered by these specifications and details.

Developers and contractors are encouraged to contact the City of Selah Public Works Department to obtain a copy of these Design and Construction Standards.

GENERAL

All work shall be done in accordance with the approved Plans, the latest edition of the Standard Specifications for Road, Bridge, and Municipal Construction prepared by the Washington State Department of Transportation, amendments to the Standard Specifications, referenced codes and organizations, and these Special Provisions.

Note: The American Public Works Association (APWA) General Special Provisions (G.S.P.'s) to Division One of the WSDOT Standard Specifications amend Division One of the "Standard Specifications for Road, Bridge, and Municipal Construction." These GSP's are available at www.wsdot.wa.gov/partners/apwa.

All materials incorporated into a proposed public works improvements project shall meet the requirements of Division 9 of the Standard Specifications or City of Selah Design and Construction Standards as shown in the Standard Plans and Details and Special Provisions.

Any Public Works facility improvements or components that are not specifically addressed in these Design and Construction Standards shall be designed by a professional engineer and provided to the City for review by the City Engineer and approval.

1-01 DEFINITIONS AND TERMS

1-01.3 DEFINITIONS

The terms defined in Section 1-01.3 of Division One of the Standard Specifications and the APWA GSP's shall be further described by the following:

- Consultant: Means an engineer licensed in the State of Washington, employed by the Developer to design the improvement and prepare plans and specifications, perform construction staking, or similar services.
- Construction Documents: Means the project plans, specifications, and special provisions prepared by the Developer's Consultant for the public works improvements contemplated and approved by the City.
- City: Means the City of Selah, a municipal corporation, as represented by its authorized officials, employees or agents.
- Contractor: Means the person or firm employed by the Developer or under Contract with the City to do the construction of the public works improvements.
- Developer: Means the person or firm constructing the new development and engaging the services of and employing consultants, and/or contractors and paying for the design and construction of the public works improvements to be transferred to the City.
- Drawings: Means the construction plans prepared by the Developer's Consultant for the public works improvements contemplated. The terms "Construction Documents," "Contract Documents," "Plans," "Engineer's Plans," "Engineer's Drawings," "Working Drawings," and "Project Manual" are synonymous.
- Engineer: Means the appointed City Engineer for the City of Selah or his/her duly authorized agent or representative.
- Owner: Means the City of Selah acting through its legally established officials, boards, commissions, etc., as represented by its authorized officers, employees, or agents.
- Public Works Director: Means the appointed official for the City. Responsible for management of Department of Public Works.
- Standard Plans and Details: Means specific drawings adopted by the City of Selah and revised from time to time which show frequently recurring components of work which have been standardized for use.
- Standard Specifications: The latest edition of Standard Specifications for Road, Bridge, and Municipal Construction prepared by the Washington State Department of Transportation, and amendments, and the APWA GSP's for Division One that are, by this reference, made part of the Contract Documents. Except as may be amended, modified, or supplemented hereinafter, each section of the Standard

Specifications shall be considered as much a part of these Construction Documents as if they were actually set forth herein.

Special Provisions:

The Special Provisions supplement or modify the Standard Specifications and supersede any conflicting provisions of the Standard Specifications for Road, Bridge, and Municipal Construction and the appended amendments to the Standard Specifications and are made a part of a Construction Document.

Should any conflicts be encountered, the following inter-relationships shall govern: The Special Provisions shall supersede the APWA GSP's, which shall supersede the WSDOT Amendments, which shall supersede the Standard Specifications.

1-04 SCOPE OF THE WORK

1-04.4 CHANGES

The provisions of Section 1-04.4 of the Standard Specifications shall be modified as follows:

No changes in the work covered by the approved Construction Documents shall be made without having prior written approval of the Developer and the City.

1-04.11 FINAL CLEANUP

Delete this section and replace it with the following:

The Contractor shall perform final cleanup as provided in this section to the Developer's and City's satisfaction. The date of completion will not be established until this is done. The material sites and all ground the Contractor occupied to do the work shall be left neat and presentable. The Contractor shall:

1. Remove all rubbish, surplus materials, discarded materials, falsework, temporary structures, equipment, and debris, and
2. Deposit in embankments, or remove from the project, all unneeded, oversized rock left from grading, surfacing, or paving.

Partial cleanup shall be done by the Contractor when he feels it is necessary or when, in the opinion of the City or Developer, partial clean-up should be done prior to either major cleanup or final inspection.

1-04.12 WASTE SITE (NEW SECTION)

The following new section shall be added to the Standard Specifications:

Where there is additional waste excavation in excess of that needed for the project and in excess of that needed for compliance with requests of the Developer or City, the Contractor shall secure and operate his own waste site at his own expense. The Contractor shall also be required to secure and operate his own waste site at his own expense for the disposal of all unsuitable material, asphalt, concrete, debris, waste material, and any other objectionable material which is directed to waste.

The Contractor shall comply with the State of Washington's regulations regarding disposal of waste material as outlined in WAC 173-304, Subchapter 461.

1-05 CONTROL OF WORK

1-05.1 AUTHORITY OF THE ENGINEER

This section is supplemented with the following:

Unless otherwise expressly provided in the approved Construction Drawings, Specifications and Addenda, the means and methods of construction shall be such as the Contractor may choose; subject, however, to the Consultant and the City's right to reject the means and methods proposed by the Contractor which (1) will constitute or create a hazard to the work, or to persons or property; or (2) will not produce finished work in accordance with the terms of the approved Construction Documents. Approval of the Contractor's means and methods of construction or his failure to exercise his right to reject such means or methods shall not relieve the Contractor of the obligation to accomplish the result intended by the Construction Documents; nor shall the exercise of such right to reject create a cause for action for damages.

1-05.3(1) Project As-Built Drawings (New Section)

The following new section shall be added to the Standard Specifications:

The Contractor shall maintain a neatly marked, full-size set of as-built drawings showing the final location and layout of all new construction. Drawings shall be kept current weekly, with all field instruction, change orders, and construction adjustment.

As-built Drawings shall be subject to the inspection of the Developer and the City at all times. Prior to acceptance of the work, the Contractor shall deliver to the Developer one set of neatly marked as-built drawings showing the information required above. The Developer shall prepared and delivered to the City of Selah the neatly marked Record Drawings in accordance with Section 9 of Chapter 1 - General.

1-05.5 CONSTRUCTION STAKING (NEW SECTION)

The following new section shall be added to the Standard Specifications:

The Consultant retained by the Developer will establish the line and grade of proposed construction by offset stakes. The Consultant will establish the centerline for minor structures and establish bench marks at convenient locations for use by the Contractor. The Contractor shall establish grades from the Consultant's stakes at suitable intervals in accordance with good practice and acceptable to the City. Where new construction adjoins existing construction, the Contractor shall make such adjustments in grade as are necessary.

1-05.6(1) Testing (New Section)

The following new section shall be added to the Standard Specifications:

The Contractor/Developer shall be responsible for scheduling and paying for all material and compaction testing required by these Design and Construction Standards for new public works Improvements. All testing services shall be performed by an independent,

certified testing firm and/or laboratory meeting the approval of the Engineer or the City. The Contractor shall submit information relating to the qualifications of the proposed testing firm to the Engineer or City for review and approval prior to the preconstruction conference. The testing service shall provide copies of all test results to the Engineer or City within 24 hours after completion of any test. Test reports shall become the property of the City. The testing frequencies listed below may be modified to assure compliance with the Specifications.

Trench Backfill

Copies of moisture-density curves for each type of material encountered and copies of all test results shall be provided to the Engineer or City as construction progresses.

Compaction tests shall be taken at a frequency and at depths sufficient to document that the required density has been achieved. At a minimum, one (1) compaction test shall be taken for each 100 linear feet of mainline pipeline trench and one (1) test for each street crossing. At alternating 100-foot locations along the main trench line, tests shall be taken at 1-foot, 2-foot, and 3-foot depths below finish grade.

The Engineer or City may request additional tests be performed at the Contractor's/Developer's expense, if test results do not meet the required trench backfill densities.

All trenches shall be backfilled and compacted to at least 95 percent of maximum density as determined by ASTM D 698 (Standard Proctor).

Roadway Subgrade (Embankment and Excavation Sections)

Copies of the moisture density curves for each type of material encountered and copies of all test results shall be provided to the Engineer or City as construction progresses.

Compaction tests shall be taken at a frequency sufficient to document that the required density has been achieved. At a minimum, one (1) compaction test shall be taken for every 5,000 square feet of subgrade.

The Engineer or City may request additional tests be performed at the Contractor's expense, if test results do not meet the required subgrade densities. Subgrade compaction shall be as specified for Roadway Embankment in Section 2-03.3(14) Method "C."

Ballast and Crushed Surfacing

Copies of the moisture density curves and gradation for each type of material incorporated into the project and copies of all test results shall be provided to the Engineer or City as construction progresses.

Compaction tests shall be taken at a frequency sufficient to document that the required density has been achieved. At a minimum, one (1) compaction test shall be taken for every 5,000 square feet of surface area for each lift of ballast or crushed surfacing.

The Engineer or City may request additional tests be performed at the Contractor's/Developer's expense, if test results do not meet the required subgrade densities.

Compaction of ballast and crushed surfacing shall be as specified in SECTION 4-04.3(5).

Asphalt Paving

Copies of the reference maximum density test for each class of Hot Mix Asphalt pavement and copies of all test results shall be provided to the Engineer or City as construction progresses.

Density tests shall be taken at a frequency sufficient to document that the required density has been achieved. At a minimum, one (1) compaction test shall be taken for every 5,000 square feet of surface area for each lift of asphalt concrete pavement.

The Engineer or City may request additional tests be performed at the Contractor's/Developer's expense, if test results do not meet the required subgrade densities.

Compaction of Hot Mix Asphalt pavement shall be as specified in SECTION 5-04.3(10)B.

Cement Concrete Curb, Gutter, and Sidewalk

A copy of the cement concrete design mix or certification from the concrete supplier that the concrete provided has been prepared to the strength requirement as specified elsewhere in these specifications.

Concrete strength cylinders shall be taken and tested for each truck load of concrete delivered to the job. All testing procedures shall be conducted in accordance with applicable Sections of Division 6-02 of the Standard Specifications.

Copies of all test results shall be provided to the Engineer or City as construction progresses.

1-05.10 GUARANTEES

Delete this section and replace it with the following:

If, within two years (2) after the date of Final Acceptance of the Work, defective and unauthorized materials or work is discovered, the Contractor shall promptly, upon written request, return and in accordance with the instructions either correct such work, or if such work has been rejected, remove it from the Project Site and replace it with non-defective and authorized work, all without cost to the City. If the Contractor does not promptly comply with the written request to correct defective and unauthorized work, or if an emergency exists, the City reserves the right to have defective and unauthorized work corrected or rejected, removed, and replaced pursuant to the provisions of Section 1-05.7 of the APWA Division I GSP's of the Standard Specifications.

The Contractor agrees the above two-year limitation shall not exclude nor diminish any rights under any law to obtain damages and recover costs resulting from defective and unauthorized work discovered after two years.

1-05.16 WATER AND POWER

Water shall be furnished and applied in accordance with the provisions of Sections 1-05.16 of the APWA Division One GSP's and 2-07 of the Standard Specifications modified as follows:

Water Supply: Water for use on the projects may be obtained/purchased from the City of Selah and the Contractor shall arrange for and convey the water from the nearest convenient hydrant or other source at his own expense. The hydrants shall be used in accordance with the City of Selah Water Department regulations.

The City reserves the right to deny the use of fire hydrants where deemed inappropriate by the City.

1-07 LEGAL RELATION AND RESPONSIBILITIES TO THE PUBLIC

1-07.1 LAWS TO BE OBSERVED

Amend the second sentence of the first paragraph to read:

The Contractor/Developer shall indemnify and save harmless the City of Selah (including any agents, officers, employees, and representatives) against any claims that may arise because the Contractor (or any employee of the Contractor or subcontractor or materialman) violated a legal requirement.

1-07.5(3) State Department of Ecology

This Section is supplemented with the following:

- 9) Comply with the requirements and special general conditions of the "General Permit for Storm Water Discharge Associated with Construction Activities" issued by the Washington State Department of Ecology to the Developer/Contractor for this project.

1-07.5(4) Air Quality

In addition to the requirements of Section 1-07.5(4), the Contractor shall comply with the environmental provisions of local air pollution authorities, Yakima County Clean Air Authority.

A method of dust control during construction shall be submitted to, and approved by, the Yakima County Clean Air Authority. A written copy of their approval shall be submitted to the Public Works Director prior to commencement of construction. The Contractor/Developer shall designate a project coordinator for contact during construction regarding alleged air quality violations and other complaints.

1-07.13 CONTRACTOR'S RESPONSIBILITY FOR WORK

The following shall be added to this section of the Standard Specifications:

The Contractor is responsible for constructing and completing all work included in the approved Construction Documents and any other work directed by the Developer in a professional manner with first-class workmanship.

The Contractor shall keep the City of Selah, the Developer, and the Consultant informed in writing of the address to which official correspondence is to be directed, the address and phone number of the person in charge of his field personnel, and the address and telephone number of the Contractor's representative who will be responsible and available outside of normal working hours for emergency repairs and the maintenance of traffic control and safety devices.

The Developer shall be responsible for the satisfactory operation and condition of all public improvements for a period of two (2) years following final inspection and acceptance in accordance with the Selah Municipal Code.

1-07.17 UTILITIES AND SIMILAR FACILITIES

Section 1-07.17 is supplemented by the following:

It shall be the Contractor's responsibility to investigate and verify the presence and location of all utilities prior to construction.

The Contractor/Developer shall call for field location, not less than two nor more than ten business days before the scheduled date for commencement of excavation which may affect underground utility facilities, unless otherwise agreed upon by the parties involved. A business day is defined as any day other than Saturday, Sunday, or a legal local, state, or federal holiday. **The phone number for the Northwest Utility Notification Center for Selah is 1-800-424-5555.** If no one-number locator service is available, notice shall be provided individually by the Contractor to those owners known to or suspected of having underground facilities within the area of proposed excavation.

The Contractor/Developer is alerted to the existence of Chapter 19.122 RCW, a law relating to underground utilities. Any cost to the Contractor/Developer incurred as a result of this law shall be at the Contractor's/Developer's expense.

No excavation shall begin until all known facilities, in the vicinity of the excavation area, have been located and marked.

1-07.18 PUBLIC LIABILITY AND PROPERTY DAMAGE INSURANCE

The Contractor shall obtain and maintain in full force and effect during the duration of this Contract public liability and property damage insurance in accordance with Section 1-07.18 of the APWA Division One GSP's and as modified herein.

Prior to start of construction, the Contractor/Developer shall furnish the City of Selah a Certificate of Insurance and the additional insured endorsements as evidence of compliance with these requirements. This certificate shall name **the City of Selah, its employees, agents, elected and appointed officials, engineering consultant, and all subcontractors** as "additional insureds" and shall stipulate that the policies named

thereon cannot be canceled unless at least forty-five (45) days written notice has been given to the City of Selah. The certificate shall not contain the following or similar wording regarding cancellation notification: **“Failure to mail such notice shall impose no obligation or liability of any kind upon the company, its agents, or representatives.”**

1-07.23 PUBLIC CONVENIENCE AND SAFETY

The provisions of Section 1-07.23 of the Standard Specifications are supplemented as follows:

At entrances to business properties and other private roads, driveways, bridges, or other such means as to provide access shall be provided by the Contractor. The Contractor shall maintain vehicular and pedestrian access to businesses at all times that businesses are open for business.

Upon failure of the Contractor to provide immediately and maintain adequate suitable access, when ordered to do so, the City shall be at liberty, without further notice to the Contractor or the Surety, to provide the same and request payment for providing proper access, and the City assumes no liability connected therewith.

Any traffic restriction must have prior approval of the City of Selah. Appropriate traffic control measures and signing are required during such temporary road closures.

It shall be the responsibility of the Contractor to secure the approval of and notify the Developer, City of Selah, and the Police and Fire Departments at least 24 hours prior to closing any street, in addition to correlating the proposed closures with the City of Selah to ensure proper detouring of traffic. When the street is re-opened, it shall again be the responsibility of the Contractor to notify the above named departments and persons.

1-07.23(3) Notifying Property Owners (New Section)

The following new section shall be added to the Standard Specifications:

When construction activities will affect ingress and egress to a property along the project alignment, the Contractor shall be responsible for notifying the occupant/occupants of the property 24 hours prior to the construction activity beginning. If personal contact with the occupant is not possible, the Contractor shall leave written notification.

1-07.28 SAFETY STANDARDS (NEW SECTION)

The following new section shall be added to the Standard Specifications:

All work shall be performed in accordance with all applicable local, state, and federal health and safety codes, standards, regulations, and/or accepted industry standards. It shall be the responsibility of the Contractor to ensure that his work force and the public are adequately protected against any hazards.

The City of Selah or Developer shall have the authority at all times to issue a stop work order at no penalty if, in their opinion, working conditions present an undue hazard to the public, property, or the work force. Such authority shall not, however, relieve the Contractor of responsibility for the maintenance of safe working conditions or assess any responsibility to the City or Developer for the identification of any or all unsafe conditions.

1-08 PROSECUTION AND PROGRESS

1-08.3 PROGRESS SCHEDULE

The provisions of SECTION 1-08.3 shall be supplemented with the following:

Prior to the commencement of any work, a preconstruction conference shall be held. The Contractor or Developer shall contact the City of Selah and set a date and time for the meeting. It shall be the responsibility of the Contractor/Developer to notify and invite all parties having an interest in the project to the meeting, including the major subcontractors, Fire District and Irrigation District, and private utilities.

At this conference all points of the approved Plans and Specifications will be open to discussion including scope, order and coordination of work, equipment lead time required, means and methods of construction, inspection and reporting procedures, etc. The Contractor should satisfy himself that all provisions and intentions of the work are fully understood.

The Contractor shall prepare and submit to the City and Developer at the Preconstruction Conference a Construction Progress and Completion Schedule using a bar graph format. Items in the Schedule shall be arranged in the order and sequence in which they will be performed. The schedule shall be drawn to a time scale, shown along the base of the diagram, using an appropriate measurement per day with weekends and holidays indicated. The Construction Progress Schedule shall be continuously updated and, if necessary, redrawn upon the first working day of each month or upon issuance of any Change Order which substantially affects the scheduling. Copies (2 prints or 1 reproducible) of newly updated Schedules shall be forwarded to the City and Engineer, as directed, immediately upon preparation.

1-10 TEMPORARY TRAFFIC CONTROL

This section is supplemented with the following:

The provisions of the latest edition of the Manual on Uniform Traffic Control Devices (M.U.T.C.D.) for Streets and Highways and amendments thereto published by the U.S. Department of Transportation, Federal Highway Administration, and WSDOT by this reference are made a part of these Documents.

1-10.2(2) Traffic Control Plans

Delete the entire section and replace with the following:

The Contractor shall prepare a signing plan showing the necessary Class A and B construction signing, barricades, and traffic control devices required for the project and submit it to the Consultant and City for review no later than the preconstruction conference date. When the Class B signing for a particular area will be provided as detailed on one or more of the figures included in the MUTCD without modification, the Contractor may reference the applicable MUTCD figure at the appropriate location on the Plan. When this procedure is used, variable distances such as minimum length of taper must be specified by the Contractor.

The signing plan prepared by the Contractor shall provide for adequate warning within the limits of the project and on all streets, alleys, and driveways entering the project so that

approaching traffic may turn left or right onto existing undisturbed streets before reaching the project. The Plan shall be prepared to create a minimum of inconvenience for pedestrian and vehicle traffic.

All modifications to the accepted signing plans shall be reviewed by the City.

1-10.3(3)A Construction Signs

The first sentence of the first paragraph is revised to read:

All signs, barricades, flashers, cones, traffic safety drums, barricades, and other traffic control devices required by the approved traffic control plan(s), as well as any other appropriate signs prescribed by the City or County, shall be furnished and maintained by the Contractor.

Open trenches shall be provided with proper barricades and at night they shall be distinctly indicated by adequately spaced lights.

CHAPTER 4 - WATER SYSTEM IMPROVEMENTS

GENERAL REQUIREMENTS FOR WATER SYSTEM IMPROVEMENTS

All extensions and additions to the City of Selah's domestic water system shall conform to the Design and Construction Standards of the City of Selah and the Washington State Department of Health (WSDOH) as follows:

All new lots and developments shall be served by a public domestic water supply line to be maintained by the City of Selah and located adjacent to the lot or development site. The water supply line shall be capable of providing sufficient flow and pressure to satisfy the fire flow and domestic service requirements of the proposed lots and development requirements.

Water lines shall be extended by the Developer to the point where the adjoining property owner's responsibility for further extension begins. This typically requires an extension across the entire frontage of the property to the property line of the adjoining owner. In some cases, it will require dedication of an easement and a line extension across the property or extension across two or more sides of the developing property. Extensions will be consistent with and implement the City's adopted Water Comprehensive Plan.

Cover over new watermains shall be a minimum of 48" and a maximum of 72". All new public domestic water mains shall be a minimum diameter of 8 inches. Fire hydrant runs less than 50 feet from the water main to the fire hydrant shall be a minimum of 6 inches.

Larger public water mains may be required depending upon fire flow requirements as determined by the City of Selah's Public Works Director, Fire Chief or City Engineer.

Water main oversizing, above that required for the particular development being submitted, may be required by the City of Selah to be installed for future extension. The cost of the materials only for the oversizing shall be reimbursed to the Developer by the City. The Developer shall submit actual material invoices showing the actual cost of the materials furnished and the cost of the same materials of the size required for the development.

All domestic water mains shall be looped, where possible. Temporary dead-end mains over 300 feet in length will only be allowed where future water main looping via public right of way will be assured. No permanent dead-end water mains over 300 feet in length will be allowed to be part of the City of Selah's public water system.

Maximum valve spacing in public water mains will be 750 linear feet. Valves will be furnished and installed on all legs of new water main intersections. Valve operating nut extensions approved by the engineer will be required on valves where the operating nut is deeper than 36 inches below finished grade.

All new water meters shall be a minimum of 3/4-inch and shall be furnished and installed by the City of Selah. All meter boxes and meter setters and service lines shall be installed by the Contractor. Only one meter shall be served from each main tap. All taps shall be made under the supervision of the Public Works Director or his designee.

All live taps of water mains shall be performed by a City-approved contractor (or City's representative with Public Works Director's approval) using a full circle stainless steel tapping sleeve with gate valve and paid for by the Developer. No cut-in tees will be

allowed.

Minimum 2-inch air and vacuum release valves shall be furnished and installed at high points in the water system.

Fire hydrants shall be spaced at least every 350 feet. Additional hydrants may be required to protect structures as determined by the Fire Chief and Public Works Director. Additional fire hydrants required on a site may require a looped, on-site fire hydrant main. Easements will be provided for all on-site, public, looped water mains, in accordance with Chapter 1, Section 11.

Water and sewer mains shall be separated in accordance with Section C1-9.1 of the Criteria for Sewage Works Design, August 2008, by the Washington State Department of Ecology.

The design of water mains and appurtenances is subject to review and approval by the City of Selah Public Works Director. The Public Works Director may, at his discretion, adjust these Design and Construction Standards as necessary to facilitate installation of water lines and appurtenances for the health, safety, and protection of the general public.

Irrigation Systems

The proposed development, wherever possible (as determined by Public Works Director), shall be served by a separate irrigation water distribution system with an individual service for each lot. The irrigation system shall be designed by a professional and constructed in accordance with the applicable Irrigation District Standards and City of Selah Design and Construction Standards. All irrigation pipelines under roadways shall meet the requirements of Section 9-30.1(5)A (AWWA C900 or C905). Pipe not under the roadway may meet the requirements of Section 9-05.12 (PVC solid wall ASTM D 3034 SDR35) or 9-15.1(2) (ASTM D 1784, 200 psi, SDR21). All irrigation pipe shall be installed with a minimum cover of 30 inches and with a 3-inch wide magnetic marking tape 12 inches above the pipe.

Irrigation services which must use the City's domestic water system shall require a City permit and be installed with a State approved, double check valve assembly. All double detector check valve assemblies shall conform to City of Selah Design and Construction Standards. Initial and annual testing will be required.

SPECIAL PROVISIONS FOR WATER SYSTEMS

The following sections of the WSDOT Standard Specifications have been amended or supplemented as described below and apply to the construction of public works water system improvements within the City of Selah.

7-09 WATER MAINS

7-09.2 MATERIALS

Section 7-09.2 of the Standard Specifications shall be revised as follows:

Water Main pipe shall be:

Ductile Iron, conforming to the requirements of Section 9-30.1(1) of the Standard Specifications, except that it shall be Standard Thickness Class 52. Joints shall be rubber gasket, push-on type (Tyton Joint). Fittings shall be mechanical joint or flanged, as shown on the Plans, and shall conform to Section 9-30.2(1) of the Standard Specifications.

All fittings shall be manufactured in the U.S.A.

Delete entire Aggregates Sub-Section and replace with the following:

Bedding Materials (Rigid Pipes)	9-03.12(3) Gravel Backfill for Pipe Zone Bedding
Imported Select Backfill	9-03.9(3) Crushed Surfacing Base Course

7-09.3(5) Grade and Alignment

The first sentence of the third paragraph is replaced with the following:

The depth of trenching for water mains shall be such to provide a minimum cover of 4 feet and a maximum cover of 6 feet, unless otherwise approved by the Public Works Director.

7-09.3(9) Bedding the Pipe

Supplement this section with the following:

All construction work shall be inspected by the City or its representative before pipe installation and backfilling. Imported pipe zone bedding/backfill for pipes shall be in accordance with Section 7-09.2 above, placed and compacted per the Standard Specifications. Bedding shall be placed under all pipe.

7-09.3(10) Backfilling Trenches

Add the following:

Street crossing trenches, and other locations as directed, shall have the trench backfilled full depth with Imported Select Backfill. The Public Works Director may require the use of Controlled Density Fill (CDF) for trench backfill in certain circumstances. The requirements for CDF are set forth in Chapter 7, Section 8-30 of these Special Provisions.

7-09.3(11) Compaction of Backfill

Mechanical compaction of 95% of maximum density is required on all trenches. The Contractor shall be responsible for scheduling and paying for all testing required.

7-09.3(23) Hydrostatic Pressure Test

Replace the first sentence with the following:

All water mains and appurtenances shall be tested under a hydrostatic pressure of 180 psi for a fifteen (15) minute period.

7-12 VALVES FOR WATER MAINS

7-12.2 MATERIALS

Add the following:

Gate Valves: All valves sizes 2-inch through 10-inch shall be gate valves manufactured in the U.S. and shall conform to the latest revision of AWWA Resilient Seated Gate Valves Standard C509 and AWWA C104.

All gate valves shall have non-rising stems, open counterclockwise, and shall be provided with a 2-inch square AWWA operating nut. Gate valves 4-inch and larger shall have mechanical joint connections.

Butterfly Valves: All valves sizes 12 inches and larger shall be butterfly valves manufactured in the U.S. and suitable for direct burial and shall be rubber seated and conform to the latest revision of AWWA Standard C504 Class 150B and C104.

Valve operators shall be worm gear type, sealed, gasketed, and lubricated for underground service. All valves shall open counterclockwise and shall be provided with a 2-inch square AWWA operating nut.

Tapping Sleeve and Valve Assemblies: Tapping sleeves shall be full circle, Romac Stainless Steel Tapping Sleeve (SST) with Ductile Iron Flanged Outlet, or approved equal, conforming to the latest AWWA Standard C223.

Valve Boxes shall be two piece adjustable. The top section shall be similar to Olympic Foundry Model 940-B, or equal, 18-inches high. The bottom section shall be Olympic Foundry Model R-36, or equal, 36-inches high. Extension sections shall be Olympic Foundry Model 044, or equal, 12-inches high.

7-12.3 CONSTRUCTION REQUIREMENTS

Supplement this section with the following:

Tapping Sleeve and Valve Assemblies: The Contractor or Subcontractor completing the work shall have at least five (5) years' experience with a minimum of ten (10) water main taps of pipes with diameters equal to or larger than specified in this project. Contractor shall notify City at least 72 hours prior to all proposed taps and provide work experience references if requested. Work to complete the tap shall not commence without City's written approval. If the Contractor or Subcontractor does not have sufficient experience in the sole opinion of the City, a qualified Subcontractor as approved by the City, shall be used to complete the tap at no additional cost.

Valves: Upon completion of all work in connection with this Contract, the Developer/Contractor shall contact the City of Selah Public Works for opening water valves. Valves shall only be operated by City Public Works staff.

Valve Boxes: Valve boxes should be set to position during backfilling operations so they will be in a vertically centered alignment to the valve operating stem. The top of the box will be at final grade.

The Contractor shall adjust all water valve boxes to the final grade of the surrounding area including new concrete sidewalk, asphalt paving, gravel surfacing, or topsoil surfacing, in accordance with the details shown on the Drawings. Valve box cover shall be rotated such that lugs are in-line with pipe alignment.

The Contractor shall keep the valve boxes free from debris caused by the construction activities. All valve boxes will be inspected during final walk-thru to verify that the valve box is plumb and that the valve wrench can be placed on the operating nut.

7-14 HYDRANTS

7-14.2 MATERIALS

Replace the entire Section with the following:

The City of Selah accepts fire hydrants of the following manufacturers, providing the hydrants conform to the City's technical specifications for fire hydrants:

Mueller Super Centurion 250
M & H 129S

All hydrants shall have a Main Valve Opening (MVO) of 5-1/4" and one port with a 5" Storz Quick Coupling and two (2) 2-1/2" diameter ports. Threads on all ports shall be National Standard Thread.

7-14.3(1) Setting Hydrants

Add the following:

The hydrant shall be set to the correct elevation on a concrete block base measuring 12" x 12" x 6" thick, which has been placed on undisturbed earth. Around the base of the hydrant, the Contractor shall place 0.50 cubic yards of washed drain rock ranging in size from 3/4" to 1 1/2" to allow free drainage of the hydrant. The drain rock shall be completely covered with construction geotextile fabric as directed by the City.

The Contractor shall be responsible for verifying the hydrant flange elevations and shall provide additional depth-of-bury hydrants or hydrant extensions to achieve a flange elevation of 3" above the back of curb, sidewalk, or finished grade, as shown on the City's Standard Detail.

The hydrants will be painted in a color approved by the City.

7-14.3(2) Hydrant Connections

Add the following:

Hydrant runs of less than 50 feet shall be connected to the main with 6-inch minimum diameter water main. Each hydrant lateral shall include an auxiliary gate valve and valve box.

7-14.3(2)A Hydrant Restraint

Add the following:

The Contractor shall securely connect the hydrant to the water main as indicated on the Standard Detail.

7-14.3(2)C Hydrant Guard Posts

Replace this section with the following:

The Public Works Director may determine that four (4) 6-inch diameter Sch. 40 steel guard posts be installed at a hydrant location. The posts will be painted the same color as the hydrants.

7-15 SERVICE CONNECTIONS

7-15.1 DESCRIPTION

Replace this section with the following:

This work consists of the relocation of existing water meters, meter setters, and water meter boxes, where necessary, and the installation of new saddles, corp stops, service pipe, water meter box, meter setter, and meter stops as shown on the Plans.

7-15.2 MATERIALS

SECTION 7-15.2 of the Standard Specifications shall be revised as follows:

Saddle: New service tapping saddles shall be Romac D.I. service saddle with double stainless steel straps or approved equal.

Corporation Stop: New corp stops shall be Mueller, Ford 1001 or approved equal.

Service Line: New service pipe shall be Copper Tubing Type K.

Meter Box: New meter boxes shall be Carson HW Model 1527BCF-18 (for ¾" and 1" meters) and 1730BCF-18 (for 2" and larger meters).

Pipe Bedding and Select Backfill: The imported pipe bedding and select backfill to be utilized for trench backfill as directed by the Engineer or Public Works Director shall be in accordance with SECTION 7-09 of these Special Provisions.

All fittings shall be manufactured in the U.S.A.

7-15.3 CONSTRUCTION REQUIREMENTS

Add the following:

The Contractor shall set the water meter box to the finished grade of the area. The Contractor will be required to reset the meter box if it is not at finished grade at the completion of the project. The completed water service shall be tested at system operating pressure by the Contractor and must show no signs of leakage.

Future water services shall be marked with an 18" long section of #4 rebar buried vertically with the top of the rebar set 6" below the finish surface and a 6-foot 2x4 post.

CHAPTER 5 - SANITARY SEWER SYSTEM IMPROVEMENTS

GENERAL REQUIREMENTS FOR SANITARY SEWER SYSTEM IMPROVEMENTS

All extensions and additions to the City's sanitary sewer system shall conform to the Design and Construction Standards of the City of Selah, the Washington State Department of Ecology, and be designed by a licensed professional Engineer as follows:

All new lots and developments shall be served by a public sanitary sewer line adjacent to the lot or development site.

Sewer lines shall be extended by the Developer to the point where the adjoining property owner's responsibility for further extension begins. This typically requires an extension across the entire frontage of the property to the property line of the adjoining owner. In some cases, it will require dedication of an easement and a line extension across the property or extension across two or more sides of the developing property. Extensions will be consistent with and implement the City's adopted Sewer Comprehensive Plan.

Sewer lines shall be located in streets to serve abutting properties. When necessary, sewer lines may be located within public easements. Lines located in streets will be offset from the street centerline and not located within a vehicle wheel path. Sewer lines located in easements shall generally be located in the center of the easement, but may, with the approval of the Public Works Director, be offset to accommodate the installation of other utilities or to satisfy special circumstances.

Sewer lines shall be designed for gravity flow operation. The minimum size for public sewer lines is eight (8) inches in diameter. The developer's sewer system must provide capacity for the proposed development, but must also provide capacity for future extensions.

Sewer lines shall be terminated with a manhole. In special circumstances, a flush-end (cleanout) may be installed on the end of a sewer main extension, provided the end is no further than 150 feet from the last manhole and the sewer main line and grade will permit further extension.

Manholes shall be installed at intervals of no greater than 400 feet and at all vertical and horizontal angle points in the sewer main.

Each building containing sanitary sewer facilities shall be served by a separate private side sewer line. Branched side sewers serving multiple buildings and properties shall not be permitted. Side sewers serving multi-unit buildings are permitted.

Side sewers shall be installed in accordance with these Construction Standards and as shown on the City Standard Details. Water and sewer lines shall not be laid in the same trench, except if approved materials (those listed in Section 7-17.2 of the *Standard Specifications for Road, Bridge, and Municipal Construction*) are used and the following requirements are met:

1. The bottom of the water pipe shall not be less than 12 inches above the top of the sewer or drain line.
2. The water pipe shall be placed on a solid shelf excavated at one side of the common trench with a clear horizontal distance of not less than 12 inches from the sewer or drain line.

Lift stations and force mains shall be limited to those locations and circumstances where they are consistent with the Comprehensive Sewer Plan and are the only viable solution to serve the proposed development and other properties in the vicinity. Lift stations and force mains shall be designed by a Professional Civil Engineer licensed in the State of Washington in accordance with the direction and requirements given by the City Engineer.

The design of sewer lines and appurtenances is subject to review and approval by the City of Selah Public Works Director. The Public Works Director may, at his discretion, adjust these Design and Construction Standards as necessary to facilitate installation of sewer lines and appurtenances for the health, safety, and protection of the general public.

SPECIAL PROVISIONS FOR SANITARY SEWER SYSTEM IMPROVEMENTS

All construction work shall be performed in accordance with the Standard Specifications and these sections that have been amended or supplemented as described below.

7-05 MANHOLES, INLETS, CATCH BASINS, AND DRYWELLS

7-05.2 MATERIALS

Add the following:

Sanitary Sewer Manholes shall be gasketed and constructed of 48-inch or larger diameter reinforced precast concrete manhole sections in conformance with the requirements of this Section. The base and first barrel section shall be precast monolithically with preformed channels.

Joints in the manhole sections shall be watertight and shall be a rubber ring compression joint complying with ASTM C443, a flexible, plastic gasket, or approved equal.

Manhole frames and covers shall be cast iron and manufactured in the U.S., with a combined weight of not less than 400 pounds and have a clear opening of 24 inches. The frames and covers shall be the manufacturer's stock pattern capable of withstanding, with appropriate margin of safety, an H20 loading. Covers shall have a 1-inch hole only, unless otherwise noted, and the top shall be flat with a non-skid pattern and marked "SEWER." The contact surfaces of the frames and covers shall be machine finished to a common plane or have other adequate provision to prevent rocking.

7-05.3 CONSTRUCTION REQUIREMENTS

Add the following:

The design and construction of all manholes shall provide for a 0.10 foot vertical drop through the manhole.

Manhole coupling adaptors may be precast in the manhole to accept PVC pipe, provided diameters match. No field grouting of pipe into manholes will be allowed. Pipe connections at manholes must be gasketed and must be flexible. "A-Lok" gasket system or approved equal may be used as an alternate to the manhole coupling adapter.

7-05.3(1) Adjusting Manholes and Catch Basins to Grade

Delete and replace with the following:

Manholes, valve boxes and similar utility appurtenances and structures shall not be adjusted until the pavement is completed, **at which time the center of each structure shall be relocated from references previously established by the Contractor.**

The asphalt pavement shall be cut and removed to a neat circle, the diameter of which shall be equal to the outside diameter of frame plus 2 feet. The frame shall be placed on cement concrete blocks or adjustment rings and wedged up to the desired grade. The base materials shall be removed and Class 3000 cement concrete shall be placed within the entire volume of the excavation up to, but not to exceed, 2 inches below the finished pavement surface.

On the following day, the concrete, the edges of the asphalt pavement, and the outer edge of the casting shall be painted with hot liquid asphalt. Class 3/8" HMA shall then be placed and compacted with hand tampers and a patching roller.

The completed patch shall match the existing paved surface for texture, density, and uniformity of grade. The joint between the patch and the existing pavement shall then be painted with hot liquid asphalt or asphalt emulsion and shall be immediately covered with dry paving sand before the HMA solidifies.

7-05.3(2) Abandon Existing Manholes

Replace the entire section with the following:

Where shown on the Plans, existing sanitary sewer manholes shall be abandoned in place after the new sanitary sewer collection system is in place and all side sewers have been transferred to the new sanitary sewer pipeline. The following new section shall be added to the Standard Specifications:

At least the top 3 feet of each manhole, or the top conical section in precast concrete manholes, shall be removed, including the cast iron ring and cover and concrete pad, if any. Debris resulting from breaking of the upper portion of the manhole may be mixed with backfill subject to the approval of the Engineer. Ring and cover will become property of the Contractor and all other surplus material shall be disposed of.

The existing pipe openings shall be plugged watertight with Class 3000 concrete and the manhole bottom slabs shall be broken to promote drainage. The remaining manhole structure shall be backfilled with granular material conforming to SECTION 9-03.9(3) CRUSHED SURFACING BASE COURSE. Place backfill in uniform layers and compact to 95% maximum dry density, as determined by ASTM D 1557 (Modified Proctor).

Excavations resulting from manhole abandonment shall be backfilled with suitable, job-excavated material to top of subgrade. Compact to 95% maximum dry density as determined by ASTM D 698 (Standard Proctor). Restore surface to the condition existing prior to excavation with native material, gravel surfacing, or asphalt concrete pavement, as shown for trench repair on the Plans.

7-08 GENERAL PIPE INSTALLATION REQUIREMENTS

7-08.1 GENERAL

Add the following:

The Contractor shall notify the Utility Notification Center (One Call Center) at least 48 hours prior to start of excavation so that underground utilities may be marked. Telephone number is 1-800-424-5555.

All construction work shall be inspected by the City of Selah prior to backfilling. At least 48 hours notice shall be given to the City Department of Public Works prior to backfilling.

7-08.3(1)C Bedding the Pipe

Add the following:

The imported pipe zone bedding/backfill to be utilized for the trench backfill shall be Crushed Surfacing Top Course in conformance with Section 9-03.9(3), placed and compacted in layers as designated by the Public Works Director.

7-08.3(2)B Pipe Laying - General

Add the following:

All sewer pipe shall be installed with 3-inch wide magnetic marking tape as detailed in the Standard Detail SS-5 and Section 9-15.18.

7-08.3(3) Backfilling

Add the following:

Street crossing trenches and other locations, where directed, shall be backfilled for the full depth of the trench with Imported Select Backfill conforming to Section 9-03.9(3) Crushed Surfacing Base Course. The Public Works Director may require the use of Controlled Density Fill (CDF) for trench backfill in certain circumstances. The requirements for CDF are set forth in Chapter 7, Section 8-30 of these Special Provisions.

Mechanical compaction shall be required for all trenches. The density of the compacted materials shall be at least 95% of the maximum density as determined by ASTM D 698 Test (Standard Proctor). The Contractor shall be responsible for scheduling, conducting, and paying for all testing required.

7-17 SANITARY SEWERS

7-17.2 MATERIALS

Sanitary Sewer Pipe approved for the City of Selah shall be:

PVC Sewer Pipe (Gravity): Polyvinyl Chloride Pipe with flexible gasketed joints shall conform with the requirements of Section 9-05.12 of the Standard Specifications (ASTM D3034, DR 35). Pipe joint type for restrained gasket.

PVC fittings for PVC sewer pipe such as tees, wyes, elbows, plugs, caps, etc., shall be flexible gasket joint fittings acceptable for use and connection to PVC sewer pipe.

Detectable Marker Tape: Marker tape shall be a detectable type and shall be marked "SEWER," and shall conform to Section 9-15.18 of the Standard Specifications.

7-17.3 CONSTRUCTION REQUIREMENTS

7-17.3(2)A General

Delete the first paragraph and replace it with the following:

All sewer pipes and appurtenances shall be cleaned and tested after backfilling. Both infiltration (if applicable) and exfiltration testing of the gravity sewer pipeline will be required. Deflection testing of the pipeline will also be required, 15 days after completion of backfill and compaction. All testing shall be witnessed by the City.

7-18 SIDE SEWERS

7-18.3 CONSTRUCTION REQUIREMENTS

7-18.3(1) General

Add the following:

Side sewers shall be constructed with a minimum of 30 inches of cover. This provision may be waived by the Public Works Director under special circumstances; however, under no circumstances shall the side sewer be laid with less than 18 inches of cover.

Side sewers shall be a minimum of 4 inches in diameter. Larger sizes, if required, will be approved by the Public Works Director on a case-by-case basis.

CHAPTER 6 – STORMWATER IMPROVEMENTS

GENERAL REQUIREMENTS FOR STORMWATER IMPROVEMENTS

All new storm drainage facilities, public or private, shall be designed by a Professional Engineer licensed in the State of Washington. Complete stormwater runoff and drainage facilities sizing calculations shall be submitted to the City Public Works Director for review and comment. Storm sewer facilities and pipelines shall be designed to meet a minimum 25-year storm criteria, and both the long-duration and short-duration storms shall be considered in the design.

All storm drainage improvements shall be planned, designed, permitted, constructed and maintained in accordance with the requirements of the latest edition of the Washington Department of Ecology (Ecology) Stormwater Management Manual for Eastern Washington (SWMMEW).

All storm runoff occurring on all new lots and developments (private property) shall be retained and disposed of on-site. Storm runoff will not be permitted to enter public property or the public storm drainage system. The property owner shall maintain all stormwater Best Management Practices (BMPs) that are installed on private property.

Storm runoff for new public streets shall be designed and constructed as required to the point where the adjoining property owner's responsibility for further extension begins. This typically requires an extension across the entire frontage of the property to the property line of the adjoining owner.

All storm sewer designs for new public streets shall be based upon an engineering analysis that takes into account total drainage areas, runoff rates, pipe and inlet capacities, treatment capacity, and any other factors pertinent to the design.

All subsurface infiltration facilities used for the treatment and disposal of stormwater shall meet the requirements of and be registered with the WDOE Underground Injection Control (UIC) program. The registration process shall be completed prior to project approval.

Inlet spacing shall be designed in accordance with the WSDOT Hydraulics Manual, Chapter 5. Generally, inlet spacing shall not exceed 300 feet. There shall be a manhole or Type II catch basin installed at the intersection of two collector storm sewers. A collector storm sewer is a sewer servicing more than one catch basin.

Small private developments may be designed to accommodate 1.5 inches of precipitation (10-year, 24-hour storm) over the on-site impervious surfaces. Small developments are defined to be 5,000 square feet or less of impervious surface area. Impervious surfaces must be clearly noted and shown on the project site plan.

DESIGN CRITERIA

The *Stormwater Management Manual for Eastern Washington* allows different methodologies to apply design storms to stormwater facility design. For purposes of consistency, specific design storm amounts of precipitation are provided below and summarized in Table 6-1. Precipitation amounts are taken from the figures and calculation methods provided in the *Stormwater Management Manual for Eastern Washington*. Once the rainfall amount is known, hydrographic methods are used to determine the rate and volume of runoff from the selected design storm, and to mathematically route a storm through proposed facilities. Hydrographic methods are discussed below along with their application to different design conditions in Selah.

DESIGN STORMS

Design storms are used to establish the amount of precipitation to be used in calculating the runoff from a parcel or basin. Based on rainfall records and methods outlined in the *Stormwater Management Manual for Eastern Washington*, the storm events described below are applicable to Selah. Note that all 24-hour storm precipitation amounts have been adjusted by a factor of 1.0 for use in the long-duration storm for Eastern Washington Region 2.

Water Quality 3-Hour Storm – 0.28 inches of precipitation. This short-duration water quality storm event is intended to provide treatment for the “first flush” events and is representative of a summer thundershower. The “first flush” can be thought of as the first amount of water that enters the system during a storm, which typically contains the highest concentration of pollutants such as roadway grit, dust and oils.

Water Quality 24-Hour Storm – 0.66 inches of precipitation. This 24-hour water quality storm event is intended to provide treatment for the “first flush” events. All stormwater treatment BMPs should be designed to treat runoff from this 24-hour water quality storm.

2-Year, 24-Hour Storm – 1.00 inches of precipitation. This 24-hour storm has a two-year return frequency, or a 50 percent chance of occurring in any one year. Designing to the 2-year storm is considered necessary for control of nuisance water. The 2-year storm also has other applications for the design of stormwater detention and water quality treatment facilities.

10-Year, 24-Hour Storm – 1.50 inches of precipitation. This 24-hour storm has a 10-year return frequency, or a 10 percent chance of occurring in any one year. Historically, storm drain facilities were designed to carry flows from this storm, but it was found that in Eastern Washington stormwater facilities were better protected if they were designed to carry flows from the summer thunderstorm, which has greater rainfall intensity over a shorter period of time.

25-Year, 3-Hour Storm (Regional Short-Duration Storm) – 0.95 inches of precipitation. This short-duration storm has a 25-year return frequency, or a 4 percent chance of occurring in any one year. This unique storm is representative of the summer thunderstorm where a significant amount of rainfall occurs over a 3-hour period, and should be used for design of flow-based stormwater BMPs.

25-year, 72-Hour Storm (Regional Long-Duration Storm) – 1.80 inches of precipitation (uses 25-year, 24-hour storm intensity). This long-duration storm has a 25-year return frequency, or a 4 percent chance of occurring in any one year. Volume-based BMPs should be designed for this 72-hour, long-duration storm. The intensity of this storm is lower since the rainfall occurs more slowly over an extended time within the 72-hour period. Therefore, the runoff rate is lower, but the volume is greater than the 3-hour storm.

50-Year, 24-hour, Storm – 1.90 inches of precipitation. This 24-hour storm has a 50-year return frequency, or a 2 percent chance of occurring in any one year. The City of Selah has selected this storm as the desired design storm to protect the downstream components of the stormwater collection system. Minor ponding is acceptable during this event, as long as the streets remain passable, and buildings are not flooded.

100-Year, 24-Hour Storm – 2.20 inches of precipitation. This 24-hour storm has a 100-year return frequency, or a 1 percent chance of occurring in any one year. Major structures and critical facilities should be protected from damage by flows from this storm.

TABLE 6-1 PRECIPITATION EVENT INFORMATION	
Storm Event	Precipitation in Inches
6-Month, 3-Hour Storm Event	0.28
6-Month, 24-Hour Storm Event	0.66
2-Year, 24-Hour Storm Event	1.00
10-Year, 24-hour Storm Event	1.50
25-Year, 3-Hour Storm Event	0.95
25-Year, 24-Hour Storm Event	1.80
50-Year, 24-Hour Storm Event	1.90
100-Year, 24-Hour Storm Event	2.20
Source: <i>Stormwater Management Manual for Eastern Washington</i> , WDOE Note: 24-hour precipitation amounts have been adjusted for use in the long-duration regional storm distribution.	

Hydrologic Analysis

Hydrologic analysis determines the amount of runoff from a given storm for a given drainage area. Though hydrologic studies are backed with considerable science, there is still a certain amount of art in their application. Available methods range from the simple calculations of the Rational Method to complex computer models, requiring significant data input and knowledge of hydrologic effects.

The following hydrographic methods are considered acceptable for the watersheds within Selah and its urban growth area.

- The Santa Barbara Urban Hydrograph (SBUH) method may be used for all analyses regardless of the size of the drainage area. Input parameters shall be as described by WDOE or WSDOT for the design storms described above. Other computer models may also be used with prior approval by the City.
- For drainage areas less than or equal to 20 acres, the rational formula and modified rational method, as described in older WSDOT and Soil Conservation Service publications, may be used for flow-rate-based applications. Inputs shall be as described in those publications, or other engineering texts. The SCS Unit Hydrograph Method may also be used.
- For drainage areas greater than 20 acres, and when it is necessary to route flows through detention facilities, the SCS Unit Hydrograph Method may be used. Inputs shall be as described in WSDOT and Soil Conservation Service publications, or other engineering texts.

The SBUH method uses a hyetograph to depict the intensity (amount) of rainfall versus time. A hyetograph may also be required for routing design storms through some BMPs. Design storm hyetographs applicable to Selah stormwater facilities are as follows:

- Water Quality Volume-Based Treatment BMPs – 24-hour SCS Type 1A storm with a 6-month return frequency.
- Water Quality Flow-Rate-Based Treatment BMPs – 3-hour short-duration storm with a 6-month return frequency.
- Volume-Based BMPs – 72-hour Regional Long-Duration Storm with a 25-year return frequency. Storm intensity is based on the 25-year, 24-hour storm event.
- Flow-Rate-Based BMPs – 3-hour short-duration storm with a 25-year return frequency as described in the SWMMEW.
- Critical facilities required to carry 50- and 100-year storms – 24-hour SCS Type II storm.

Treatment BMP Sizing

The City of Selah is located in the WDOE Region 2 of Eastern Washington. Therefore, all calculations shall be based on Region 2 methods recommended in the WDOE's *Stormwater Management Manual for Eastern Washington* for the sizing of stormwater BMPs. The following are design guidelines for volume-based treatment BMPs and flow-rate-based treatment BMPs.

Volume-based treatment BMPs are sized the same whether they are located upstream or downstream of a detention facility. The volume of runoff predicted for the proposed developed condition of a site will be calculated using the 24-hour SCS Type 1A storm with a 6-month return frequency. (The 0.66-inch water quality design storm.) The BMP will be sized to treat this amount of water, and will also be sized to pass the 25-year short-duration storm, either through or around the BMP, without damaging the BMP or dislodging pollutants from within it.

Flow-rate-based treatment BMPs are sized differently depending on whether they are located upstream or downstream from a detention facility. If the BMP is located upstream of a detention facility, or if there is no detention facility, the runoff flow rate predicted for the proposed developed condition of a site will be calculated using the 3-hour short-duration storm with a 6-month return frequency. (The 0.66-inch water quality design storm.) See Chapter 7 of the *Stormwater Management Manual for Eastern Washington* for design parameters. If the BMP is located downstream of a detention facility, it must be sized for the full 2-year release rate of the detention facility.

Flow Control

The criteria listed below shall apply to control of stormwater runoff flow and the designated design storms shall apply:

- Storm sewer facilities and pipelines shall be designed to carry at minimum the 25-year short-duration design storm described in the *Stormwater Management Manual for Eastern Washington* (0.95 inches of precipitation). Depending on the size of the basin, time of concentration and infiltration rates, some infiltration facilities will also need to be checked using the 25-year, 24-hour storm (1.80 inches of precipitation, SCS Type

1A). At the City's discretion, if the facilities are critical to public health and safety, or significant property damage could occur, they shall be designed to successfully pass the 50-year or 100-year storm.

- Retention and detention basins shall be designed based on the 25-year, 72-hour long-duration storm (1.80 inches of precipitation, Regional Long-Duration). A secondary outlet or emergency spillway shall be provided to pass the 100-year storm (2.20 inches of precipitation, SCS Type II) without damage to the facility.

Street Drainage

Streets represent a large portion of the impervious area within a community. They can be used to convey a significant amount of stormwater; however, they must remain passable during storm events. To that end, streets may be used to convey local runoff to inlets, but stormwater must be removed at specific intervals in order to prevent excessive flooding. Guidance for flow carried within the street is presented below for the design storm (25-year) in Table 6-2, and the major storm (100-year) in Table 6-3. At intersections, the flow carried in one street may flow across the other street. Allowable cross street flow is listed in Table 6-4 for both the design storm and the major storm.

TABLE 6-2 25-YEAR STORMWATER RUNOFF ALLOWABLE STREET USE	
Street Classification	Maximum Pavement Encroachment
Residential	No curb overtopping. Flow may spread to crown of street.
Collector, Minor, and Principal Arterials	No curb overtopping. Flow spread must leave at least one lane in each direction free of water.
Freeway	No encroachment is allowed on any traffic lanes.

TABLE 6-3 100-YEAR STORMWATER RUNOFF ALLOWABLE STREET INUNDATION	
Street Classification	Maximum Pavement Encroachment
Residential	Residential dwellings and public, commercial, and industrial buildings shall not be inundated at the lowest finished floor elevation unless buildings are flood-proofed. The depth of water over the gutter flowline shall not exceed 12 inches.
Collector, Minor, and Principal Arterials	Residential dwellings and public, commercial, and industrial buildings shall not be inundated at the lowest finished floor elevation unless buildings are flood-proofed. The depth of water at the street crown shall not exceed 6 inches in order to allow operation of emergency vehicles. The depth of water over the gutter flowline shall not exceed 12 inches.
Freeway	No inundation is allowed.

TABLE 6-4 STORMWATER RUNOFF ALLOWABLE CROSS STREET FLOW		
Street Classification	25-Year Storm Runoff	100-Year Storm Runoff
Residential	6 inches in depth in valley gutter	12 inches in depth in valley gutter
Collector, Minor, and Principal Arterials	None	6 inches or less over crown
Freeway	None	None

In addition to the criteria for street carrying capacity, the following design criteria shall also apply to street drainage:

- The following design storms shall apply:
 - Flow in gutters and ditches shall be evaluated based on the 25-year design storm.
 - Storm drain laterals shall carry the 25-year design storm, or be a minimum of 8-inches in diameter.
 - Storm drain inlets on a slope shall handle the 25-year storm.
 - Storm drain inlets in sag (low-point) shall handle the 50-year storm. (WSDOT design criteria. May be waived at City's discretion.)
- Stormwater runoff for new public streets shall be designed and constructed as required to the point where the adjoining property owner's responsibility for further extension

begins. This typically requires an extension across the entire frontage of the property to the property line of the adjoining owner.

- All storm sewer designs for new public streets shall be based upon an engineering analysis which takes into account total drainage areas, runoff rates, pipe and inlet capacities, and any other factors pertinent to the design.
- All stormwater BMPs installed by the City in the public domain shall be maintained by the City, or by a subcontracted party.
- Inlet spacing shall be designed in accordance with the WSDOT Hydraulics Manual, Chapter 5. Generally, inlet spacing shall not exceed 300 feet. There shall be a manhole or Type II catch basin installed at the intersection of two collector storm sewers. A collector storm sewer is a sewer servicing more than one catch basin.

SPECIAL PROVISIONS FOR STORM SEWERS AND DRAINAGE

The following Sections of the Standard Specifications have been amended or supplemented as described below:

7-02 CULVERTS

7-02.2 MATERIALS

Add the following:

Culvert pipe approved for use on a City project shall be as follows:

Corrugated Aluminum Alloy Culvert Pipe meeting the requirements of SECTION 9-05.5 of the Standard Specifications.

OR

HDPE Pipe: Corrugated High Density Polyethylene (CPE) pipe, couplings, and fittings shall comply with the requirements of SECTION 9-05.19 of the Standard Specifications.

7-04 STORM SEWERS

7-04.2 MATERIALS

Add the following:

The storm sewer (drain) pipe approved for use on a City project shall be as follows:

15-INCH THROUGH 36-INCH PIPE

Corrugated Aluminum Alloy Storm Sewer Pipe: All corrugated aluminum alloy storm sewer pipe shall comply with the requirements specified in SECTION 9-05.11 of the Standard Specifications and shall be 16 gauge with helical corrugations. A protective coating shall not be required. All corrugated metal pipe joints shall be flexible using rubber gasket joints. Gaskets shall be made of 3/8-inch thick by 12-inch minimum width closed cell synthetic sponge rubber, per ASTM D 1056, Grade SCE-43, fabricated in the form of a cylinder with a diameter of approximately

10 percent less than the nominal pipe size. The gasket shall be centered under the band and lapped an equal distance on the ends of the adjoining pipe sections. Coupling bands shall be used and shall conform to the provisions of SECTION 9-05.11(1) of the Standard Specifications. Coupling bands shall be made by the same manufacturer as the pipe and shall be made of the same base material as the pipe which it connects.

PE Pipe: Corrugated High Density Polyethylene (CPE) pipe, couplings, and fittings shall comply with the requirements of SECTION 9-05.20 of the Standard Specifications.

12-INCH AND SMALLER PIPE

PVC Pipe: Polyvinyl chloride (PVC) pipe shall conform with requirements specified in SECTION 9-05.12(1) of the Standard Specifications (ASTM D 3034, DR 35). The pipe joint type shall be restrained gasket.

OR

PE Pipe: Corrugated High Density Polyethylene (CPE) pipe, couplings, and fittings shall comply with all the requirements of Section 9-05.20. Joints shall be water-tight.

Pipe shall be as manufactured by Hancor, Advanced Drainage Systems, Inc., or approved equal.

The perforated underdrain pipe for infiltration trenches approved for use shall be as follows:

PE Pipe: Perforated Corrugated High Density Polyethylene (CPE) underdrain pipe, couplings, and fittings shall comply with all the requirements of SECTION 9-05.2(8) of the Standard Specifications.

DRAIN ROCK: Drain rock for use as backfill for the perforated underdrain pipe in infiltration trenches shall be clean coarse aggregate conforming to the requirements for "Gravel Backfill for Drywells" as specified in SECTION 9-03.12(5) of the Standard Specifications.

7-04.3(1) Cleaning and Testing

7-04.3(1)A General

No infiltration or exfiltration test will be required for the storm drain pipe.

7-05 MANHOLES, INLETS, CATCH BASINS, AND DRYWELLS

7-05.2 MATERIALS

Section 7-05.2 of the Standard Specifications shall be revised as follows:

Drain Rock: Backfill for drywells and infiltration trenches shall be Gravel Backfill for Drywells as specified in Section 9-03.12(5) of the Standard Specifications.

Manhole Metal Castings: All cast iron frames and covers shall be as specified in SECTION

9-05.15(1) of the Standard Specifications. All cast iron frames and covers to be used on this project shall be manufactured in the U.S. and shall be of the type, weight, and size approved by the City of Selah, and shall be furnished by the Contractor. Covers for sanitary sewer shall be stamped "SEWER." Covers for storm drain shall be stamped "STORM."

Precast Concrete Catch Basin: Catch basins shall be WSDOT Type I, IL or II and constructed as shown on the City Standard Details.

Catch Basin Metal Castings: All frames and grates shall be manufactured in the U.S. and capable of withstanding, with a reasonable margin of safety, a concentrated load of 20,000 pounds and shall be as specified in SECTION 9-05.15(2) of the Standard Specifications and Standard Plan B-30.10 and B-30.50. The grate shall be ductile iron and "bicycle safe." The contact surfaces of the frame and grate shall be machine finished to a common plane and shall be so cast as to prevent rocking.

Construction Geotextile: All geotextile fabric for underground drainage applications shall be Moderate Survivability - Class B as specified in Section 9-33.2(1).

Precast Concrete Pretreatment Manhole: Stormwater pretreatment manholes shall be approved by the Washington State Department of Ecology (Ecology) with a General Use Level Designation (GULD), capable of 50% removal of fine (50 micron mean size) and 80% removal of coarse (125 micron mean size) total suspended solids (TSS) for influent concentrations greater than 100 mg/L, but less than 200 mg/L, as required by DOE.

Pretreatment manholes shall be constructed of pre-cast concrete manhole sections, flat top slab, and adjustment sections (similar to WSDOT Catch Basin Type 2, Standard Plan B-10.20-01), with cast iron covers as described above. The pretreatment insert shall be constructed of fiberglass and/or steel materials that are corrosion resistant. Manhole safety steps shall be provided as shown on the Plans and the pretreatment insert shall act as a platform for maintenance purposes.

Approved pretreatment manholes include Contech CDS, Stormceptor, Hydro International Downstream Defender, and Aqua-Swirl Concentrator.

The pretreatment manhole shall be capable of handling the specified water quality flows and shall incorporate a bypass within the unit to handle the specified peak flows. The pretreatment manhole shall be capable of incorporating multiple inlets/outlets, with the inlet and outlet pipes at 90 degrees to each other. Access to pretreatment insert ports and openings for maintenance shall be achieved through the cast iron cover(s).

7-05.3(1) Adjusting Manholes and Catch Basins to Grade

Delete and replace with the following:

Manholes, valve boxes, catch basins, and similar utility appurtenances and structures shall not be adjusted until the pavement is completed, at which time the center of each structure shall be relocated from references previously established by the Contractor.

The asphalt concrete pavement shall be cut and removed to a neat circle, the diameter of which shall be equal to the outside diameter of frame plus two (2) feet. The frame shall be placed on cement concrete blocks or adjustment rings and brought up to the desired grade. The base materials shall be removed and Class 3000 cement concrete shall be

placed within the entire volume of the excavation up to, but not to exceed, 2 inches below the finished pavement surface.

On the following day, a tack coat of asphalt shall be applied to the concrete, the edges of the asphalt concrete pavement, and the outer edge of the casting. HMA CI. 3/8-Inch asphalt concrete shall then be placed and compacted with hand tampers and a patching roller.

The completed patch shall match the existing paved surface for texture, density, and uniformity of grade. The joint between the patch and the existing pavement shall then be sealed with emulsified asphalt and shall be immediately covered with dry paving sand before the tack has broken.

7-08 GENERAL PIPE INSTALLATION REQUIREMENTS

7-08.1 General

Add the following:

All construction work shall be inspected by the City of Selah prior to backfilling. At least 48 hours notice shall be given to the City Public Works Department prior to backfilling.

The Contractor shall notify the Utility Notification Center (One Call Center) at least 48 hours prior to start of excavation so that underground utilities may be marked. Telephone number is 1-800-424-5555.

7-08.3(1)C Bedding the Pipe

Add the following:

The imported pipe bedding and select backfill to be utilized for the trench backfill shall be crushed gravel, placed and compacted in layers as designated by the Director of Public Works. Crushed gravel shall conform to Section 9-03.9(3) Crushed Surfacing Top Course.

CHAPTER 7 - STREET IMPROVEMENTS

GENERAL REQUIREMENTS FOR STREETS

All new street design and construction must conform to these Design and Construction Standards of the City of Selah, the Selah Municipal Code, and the latest edition of the Standard Specifications.

TRAFFIC STUDIES

In order to provide sufficient information to assess a development's impact on the transportation system and level of service, the Public Works Director may require a traffic study to be completed by the Developer at the Developer's expense. This decision will be based upon the size of the proposed development, existing roadway condition, existing and expected, traffic volumes, accident history, expressed community concern, and other factors relating to transportation. Traffic studies shall be conducted under the direction of a traffic engineer or civil engineer licensed in the State of Washington and possessing special training and experience in traffic engineering. The level of detail and scope of the traffic study may vary with the size, complexity, and location of the proposed development. A traffic study shall, at a minimum, be a thorough review of the immediate and long-range effects of the proposed development on the City's transportation system. Guidelines for the traffic study shall be reviewed by the Public Works Director on a project basis. ADT and peak hour volumes for the development shall be estimated using the trip generators found in the latest edition of the Trip Generation Manual published by ITE.

STREET REQUIREMENTS

Arterial streets serve as the high volume corridors that connect the major traffic generators and shall be designed with a minimum seventy (70) foot-wide Right of Way and forty-four (44) foot-wide roadway surface face of curb to face of curb. Face of curb radius at intersection shall be a minimum of 50 feet and the street centerline radius shall be designed to a minimum 40 mph design speed or as approved by the Public Works Director. Both Arterial and Collector streets shall be designed for a WB-50 vehicle and HS-25 loadings.

Collector streets shall be designed with a minimum sixty (60) foot-wide right of way and a forty (40) foot-wide roadway surface face of curb to face of curb. Face of curb radius at intersection shall be a minimum of forty (40) feet and the street centerline radius shall be designed to a minimum 35 mph design speed or as approved by the Public Works Director.

Local Access (Residential) streets shall be designed with a minimum fifty (50) foot-wide right of way and thirty-two (32) foot-wide roadway surface curb to curb. Face of curb radius at intersection shall be a minimum of twenty-five (25) feet and street centerline radius shall be designed to a minimum of 30 mph design speed or as approved by the Public Works Director.

The maximum length of a cul-de-sac street shall be 600 feet measured along the street centerline from the nearest street intersection to the throat of the cul-de-sac. Where it is not feasible to construct a cul-de-sac turnaround, the City may allow the use of an "L" or "Hammerhead" turnaround upon approval. The minimum cul-de-sac right-of-way is a radius of 55 feet and a curb radius of 45 feet.

A subdivision of 15 or more lots shall have two or more access points. Street intersections shall not be less than 80 degrees. Offset street intersections shall be not less than 200 feet for arterial and collector streets and 100 feet for local access streets. Street grades shall be kept to a minimum and no street grade shall be less than two tenths (0.02) percent or greater than twelve

(12) percent. Vertical curves shall be designed when the grade difference is greater than two (2) percent.

Sidewalks shall be installed on both sides of Arterial and Collector streets. Sidewalks shall be constructed when homes/businesses are constructed and shall be completed prior to occupancy.

Cement concrete traffic curb and gutter and sidewalk(s) shall be installed along all new streets unless otherwise approved by the City of Selah. Mountable curb is allowable for local access interior and dead end streets in subdivisions, except for the corner lot at an intersection, where the curb shall be full height. There shall be a 10-foot long transition from the full height curb to the mountable curb.

Driveways shall be located on the lowest classification of roadway abutting the development. Driveways accessing onto arterial streets are discouraged and shall be limited. Driveway widths and locations are limited to one per lot as approved by the Public Works Director. "Corner" lot driveway shall be located as far as possible from the street intersection.

A street light shall be installed at each street intersection, and at mid block, no more than one hundred seventy-five (175) feet apart, and at ends of culs-de-sac. Street lights shall meet the design and placement requirements of these Design and Construction Standards and the City Public Works Director and the local electric utility.

Installation of monument case with cover caps and monument cases at the centerline of street intersects and at other locations as directed by the Public Works Director is required in new developments.

Traffic control signs and sign posts shall be provided and installed by the developer in accordance with the latest edition of the Manual of Uniform Traffic Control Devices (MUTCD) and City Design and Construction Standards.

SPECIAL PROVISIONS FOR STREETS

The following sections of the Standard Specifications have been amended or supplemented as described below.

2-03 ROADWAY EXCAVATION AND EMBANKMENT

2-03.3(14)C Compacting Earth Embankments

All embankment construction shall be compacted by Method "C" as specified in the above section.

2-03.3(14)D Compacting and Moisture Control Tests

The contractor shall notify the City and Consultant when the subgrade is ready for in-place density tests and the materials testing firm will be on the site. Placement of aggregate surfacing courses shall not proceed until subgrade density requirements are met.

2-07 WATERING

2-07.1 DESCRIPTION

The Contractor shall be solely responsible for dust control on the Developer's project and shall protect the adjacent property, homes and businesses, orchards, crops and school yards from dust

by whatever means necessary. The Contractor shall be responsible for any claims for damage or dust impacts and shall protect the City and the Developer from all such claims.

When directed by the City, the Contractor shall provide and apply water within two hours of such an order, including on weekends and holidays.

5-04 HOT MIX ASPHALT

5-04.1 Description

Supplement this section with the following:

An asphalt prime coat will not be required, nor will a soil sterilant be required to be applied to the subgrade.

Asphalt concrete surfaces shall be so constructed that the finished pavement will conform to the cross-section, line, and grade as shown on the Plans and in accordance with the referenced Standard Specifications.

5-04.2 Materials

Supplement this section with the following:

The class of hot mix asphalt shall be: HMA Class 1/2"
The grade of asphalt binder shall be: PG 64-28

5-04.3 Construction Requirements

5-04.3(2) Hauling Equipment

Supplement this section with the following:

Sufficient numbers of trucks shall be provided by the Contractor to assure a continuous paving operation at proper HMA mix temperatures. Paving operations shall not proceed until hauling equipment sufficient to assure continuous operations is provided.

5-04.3(3) Hot Mix Asphalt Pavers

Supplement this section with the following:

The HMA paver that is utilized shall be capable of spreading and finishing courses of HMA plant mix material in a width from centerline of the roadway to the edge of the roadway or gutter in a single pass (up to 22-foot width).

5-04.3(5)E Pavement Repair

Supplement this section with the following:

After the completion of trench and patch repairs, the Contractor shall seal all joints with CSS-1 and concrete sand.

5-04.3(7) Preparation of Aggregates

5-04.3(7)A1 General

Supplement this section with the following:

The Contractor may submit for acceptance an approved WSDOT mix design for the class of HMA specified in the contract if the mix design has been approved within the previous 12-month period using aggregate and asphalt binder from the same sources. The Contractor shall provide the mix design to the City at least fifteen (15) working days prior to any paving.

5-04.3(7)A2 Statistical or Nonstatistical Evaluation

Delete this section and replace it with the following:

The Contractor shall be responsible for verification of the mix design.

5-04.3(8)A Acceptance Sampling and Testing – HMA Mixture

5-04.3(8)A1 General

Delete this section and replace it with the following:

Acceptance of HMA shall be as provided under Nonstatistical or Commercial evaluation.

Commercial evaluation will be used for Commercial HMA and for other classes of HMA in the following applications: Sidewalks, road approaches, ditches, slopes, paths, trails, gores and other nonstructural applications as approved by the City. Sampling and testing of HMA accepted by commercial evaluation will be at the option of the City. The proposal quantity of HMA that is accepted by commercial evaluation will be excluded from the quantities used in the determination of Nonstatistical evaluation.

Commercial HMA can be used for patching utility or conduit trenches less than 24 inches in width.

5-04.3(10) Compaction

5-04.3(10)B Control

Delete this section and replace with the following:

HMA used in traffic lanes, including lanes for ramps, truck climbing, weaving, and speed change, and having specified compacted course thickness greater than 0.10 foot, shall be compacted to a specified level relative density. The specified level of relative density shall be a minimum of 91.0 percent of the reference maximum density as determined by WSDOT for AASHTO T 209. The reference maximum density shall be determined as the moving average of the most recent five determinations for the lot of HMA being placed. The specified level of density attained will be determined by five nuclear gauge tests taken in accordance with WAQTC FOP TM8 and WSDOT SOPT 729 on the day the mix is placed (after completion of the finish rolling) at locations determined by the stratified random sampling procedure conforming to WSDOT Test Method 716 within each density lot. The quantity represented by each density lot will be no greater than a single day's

production or approximately 400 tons, whichever is less. The City will furnish the Contractor with a copy of the results of all acceptance testing performed in the field within one working day.

In addition to the randomly selected locations for tests of density, the City may also isolate from a normal lot any area that is suspected of being defective in relative density. Such isolated material will not include an original sample location. A minimum of five (5) randomly located density tests will be taken.

Control lots not meeting the minimum density standard shall be removed and replaced with satisfactory material.

HMA constructed under conditions other than those listed above shall be compacted on the basis of a test point evaluation of the compaction train. The test point evaluation shall be performed in accordance with instructions from the City. The number of passes with an approved compaction train, required to attain the maximum test point density, shall be used on all subsequent paving.

5-04.3(11) Reject Work

Supplement this section with the following:

Delete all references to Combined Pay Factor (CPF). HMA not meeting the quality requirements of the City shall be rejected, including use of HMA Cl. 3/8-Inch.

5-04.3(13) Surface Smoothness

Supplement this section with the following:

Where directed by the City, the Contractor shall feather the HMA pavement in a manner to produce a smooth-riding connection to the existing pavement.

HMA Cl. 3/8-inch shall be utilized in the construction of the feathered connections to existing pavement.

5-04.3(14) Planing Bituminous Pavement

The third paragraph of this section is deleted and replaced with the following:

The ground HMA material resulting from the pavement planing operation shall become the property of the City when so desired.

The Contractor shall haul and stockpile the material at a location as directed by the City.

All other debris resulting from the planing operation shall become the property of the Contractor and be disposed of in accordance with Section 2-03.3(7)C.

5-04.3(17) Paving Under Traffic

Delete the following in the last paragraph:

“except the costs of temporary pavement markings”

5-04.3(19) Sealing of Pavement Surfaces

Revise the first sentence to read:

“The Contractor shall apply a fog seal to all travel lanes and allow it to cure prior to opening the lane to traffic, when the wearing course is placed after October 1 and before April 1.”

8-04 CURBS, GUTTERS, AND SPILLWAYS

8-04.3(1) Cement Concrete Curbs, Gutters, and Spillways

This section is supplemented with the following:

Cement concrete traffic curb and gutter shall be as shown on the City's Standard Plans. Full Height or “Barrier” cement concrete traffic curb and gutter as shown shall be used on the roadway as shown on the Plans. Depressed or “Driveway” cement concrete traffic curb and gutter as shown shall be used at all driveway entrances and sidewalk ramp locations as shown on the Plans and as directed in the field by the Engineer. Mountable or “Rolled” curb shall be used on the roadway as shown on the Plans. Cement concrete curb and gutter which does not comply with the City's details shall be removed and replaced at the Contractor's expense.

A template shall be required to be placed at the back of curb for construction of driveway transitions from Barrier to Driveway or Rolled curb and gutter. The template shall extend from the bottom of curb to the top of the curb, and shall have a minimum length of 10 feet, with the 6-foot long transition centered in the template. The Contractor shall also be required to use a template at the back of Driveway/Depressed curb and gutter to ensure a straight and uniform back of curb in conformance with the Standard Plan.

The new concrete curb and gutter shall be cured in accordance with SECTION 5-05.3(13)B of the Standard Specifications. Application of the curing compound shall be in accordance with the manufacturer's recommendations.

First-class workmanship and finish will be required on all portions of concrete curb and gutter work. Quality of workmanship and finish will be evaluated continuously and will be based solely upon the judgment of the Engineer. The Contractor shall be required to construct a minimum 20 linear foot section of curb and gutter which demonstrates quality which is acceptable by the Owner and Engineer. This “model” section will be referenced during construction for comparison to newly poured curb. If at any time it is found that quality is unacceptable, work shall be immediately stopped, and no additional curb and gutter shall be placed. Cement concrete curb and gutter which does not comply with the section details on the Plans, or in the Engineer's opinion does not demonstrate first-class workmanship and finish, shall be removed and replaced at the Contractor's expense. Should the Contractor's equipment or methods be unable to produce curb and gutter meeting the requirements of the Details and Specifications, no further curb and gutter construction will be allowed until corrections have been made to said equipment or methods.

8-06 CEMENT CONCRETE DRIVEWAY ENTRANCES

8-06.3 Construction Requirements

This section is supplemented with the following:

The concrete driveway entrance/sidewalk shall be six (6) inches in thickness.

8-14 CEMENT CONCRETE SIDEWALKS

8-14.3(3) Placing And Finishing Concrete

This section is supplemented with the following:

All sidewalks not located in driveway entrance areas shall be four (4) inches in thickness. All sidewalks and concrete driveway entrances located behind a Depressed curb and gutter section or Rolled Curb section shall be six (6) inches in thickness.

Sidewalks shall be marked across the entire width every five (5) feet and with preformed asphalt impregnated joint fillers 3/8-inch thick every twenty (20) feet. Concrete sidewalk shall be cured in accordance with SECTION 5-05.3(13)A of the Standard Specifications. Application of the curing compound shall be in accordance with the manufacturer's recommendations. Failure to properly secure or seal the cement concrete sidewalk will require the Contractor to remove and replace the sidewalk section at his expense.

Sidewalk ramps, in accordance with the City Standard Plan, shall be constructed at all intersections as shown on the Detail Sheet and at a width shown on the plans. Ramps shall include a detectible warning pattern approved by the City.

First-class workmanship and finish will be required on all portions of cement concrete sidewalk work. Quality of workmanship and finish will be evaluated continuously and will be based solely upon the judgment of the Engineer. If at any time it is found that quality is unacceptable, work shall be immediately stopped, and no additional sidewalk shall be placed. Cement concrete sidewalk which does not comply with the section details on the Plans, or in the Engineer's opinion does not demonstrate first-class workmanship and finish, shall be removed and replaced at the Contractor's expense. Should the Contractor's equipment or methods be unable to produce sidewalk meeting the requirements of the Details and Specifications, no further sidewalk construction will be allowed until corrections have been made to said equipment.

8-20 ILLUMINATION, TRAFFIC SIGNAL SYSTEMS, AND ELECTRICAL

8-20.1 Description

Supplement this section with the following:

All illumination and electrical work shall be coordinated with Pacific Power and the City of Selah.

8-20.2 Materials

Supplement this section with the following:

The provisions of Section 9-29 shall apply, except for the following modifications or additions:

Conduit: Below grade conduit shall be Schedule 40 PVC, conforming to NEMA TC 2. Rigid Steel Conduit and Fittings shall be used for all bends, entrances, and exits of pull boxes and where required by code. Conduit bends shall have no less than 12-Inch radius. "Push-Penny" plugs shall be used at all terminations to keep conduits clean.

A 1/8-Inch braided nylon rope, 450 pounds minimum breaking strength, shall be installed in each conduit run with two (2) feet doubled back at each termination. When the conductors are pulled, a rope shall be re-pulled with the conductor and left for future use. Pull rope shall be installed in all spare conduits.

Light Standards: Poles and arms shall be hot-dipped galvanized over their entire surface per ASTM A-123. Anchor bolts, nuts, and washers shall be hot-dipped galvanized over their entire length per ASTM A-153. All poles, arms and accessories shall be furnished by the same manufacturer.

Luminaire poles shall provide a nominal mounting height of thirty-seven (37) feet and have ten (10) foot arms for Collectors and Arterials, and eight (8) foot arms for Local Access roadways. The pole base shall be of the "fixed" type. Handholes shall be 4 inches by 6-1/2 inches, located 18 inches above the base, turned toward the street. A 1/2-inch NC ground stud shall be located inside the handhole. Light standards shall be designed to a minimum of 90 MPH wind velocity.

Accessories shall include anchor bolts (each with heavy hex nuts and washers) as sized by the manufacturer, bolt templates, full base covers, and removable pole end caps.

Luminaires: LED luminaires shall be CREE LED XSP2 Series, Version C, Type 3ME (Arterial and Collector) or Type 2ME (Local Access), both w/BLS Distribution, standard 4000k, 139W, 120-277V, without individual photoelectric controls. Luminaires shall be CREE LED XSP2 Series or approved equal.

Electrical Service: Service shall be a 200 AMP post mounted service cabinet, type EUSERC 308 as required by Pacific Power.

8-20.3 Construction Requirements

8-20.3(1) General

Supplement this section with the following:

Prior to installation, the Contractor shall inform the City when the luminaire equipment has arrived on-site. The City will compare the supplied luminaire equipment to these Design and Construction Standards prior to installation and must be present during installation to check for socket settings and luminaire head orientation.

The Contractor is responsible for coordinating with the Department of Labor and Industries, serving electrical utility, and authority having jurisdiction for all required inspections and service.

8-20.3(2) Excavation and Backfill

Delete the first paragraph and replace it with the following:

The excavation required for the installation of conduit, cement concrete anchor bases, and pullboxes shall be performed in such a manner as to cause the least possible injury to streets, sidewalks, and other improvements. Anchor base excavation shall be augered or dug by hand with proper care to avoid damage to other utilities. Excavation shall not be performed until immediately prior to installation of conduit and/or structures. Backfilling shall be as shown on the Plans and shall conform to the provisions specified herein. Compaction of conduit trenches and structure backfill shall be accomplished by a method which will result in backfill compacted to at least 95 percent of maximum density.

8-20.3(4) Foundations

Supplement this section with the following:

The top six inches (anchor base) of the concrete foundation shall be formed and finished 24-inches square with 3/4-Inch chamfer edges, and the top shall be at finish sidewalk grade. The anchor base shall be separated from adjacent concrete surfaces by means of expansion joints. Forms for the anchor bases shall be true to line and grade and the conduit ends and anchor bolts shall be held in proper position and height by means of a temporary template. After standards are plumbed, the Contractor shall grout between the base plate and anchor base as shown on the Plans.

8-20.3(5) Conduit

Supplement this section with the following:

The ends of conduits for future connection shall be marked with an 18" long section of #4 rebar buried vertically with the top of the rebar set 6" below the finished grade.

8-20.3(6) Junction Boxes, Cable Vaults, and Pull boxes

Replace the first paragraph with the following:

The terms "pullbox" and "junction box" are considered interchangeable.

Pullboxes shall be constructed as shown on the Plans and in accordance with Standard Plan J-40.10-03 Type 1. The pullboxes shall be installed true to line and grade. The pullboxes shall be placed where shown on Plans and shall be separated from other concrete surfaces by an expansion joint.

8-20.3(10) Electrical Service

Supplement this section with the following:

A 120/240 V single phase electrical service shall be provided as determined by the City. The Contractor shall coordinate the final location of the service with the local electrical utility company and City. A State electrical permit will be required for the service. All wiring and equipment shall be in conformance with the appropriate electrical codes.

All of the work shall meet the requirements of Pacific Power and the National Electric Code. The Contractor shall provide conduits to the proposed service locations shown on the Plans and shall coordinate the location of the service(s) with Pacific Power.

8-20.3(13)A Light Standards

Supplement this section with the following:

Light standards shall have base flanges requiring four (4) anchor bolts for connection to foundation. Anchor bolt covers shall be provided on all light standards.

8-21 PERMANENT SIGNING

8-21.2 MATERIALS

This section is supplemented with the following:

Sign posts for permanent signing within an approved development shall be Unistrut Telespar 2" x 2" 12 gauge steel tubing or 2" galvanized pipe. Socket sleeves for sign posts shall be 2 1/4" x 2 1/4" x 30" 12 gauge steel tubing.

Reflective background sheeting material shall be Type III for regulatory signs and Type I for all other signs unless otherwise directed by the City.

8-21.3 CONSTRUCTION REQUIREMENTS

This section is supplemented with the following:

Socket sleeves for sign posts shall be set in 12" diameter x 18" deep base of class 3000 concrete at finish grade so that erected signs will be plumb. The Contractor shall correct any misaligned sign posts at his own expense. Signs shall be located 12" behind the sidewalk.

8-30 CONTROLLED DENSITY FILL (NEW SECTION)

The following new section shall be added to the Standard Specifications:

8-30.1 GENERAL

Controlled Density Fill (CDF) may be required for street crossings by the Public Works Director. It shall be a mixture of Portland Cement, fly ash, aggregate, water, and admixtures proportioned to provide a non-segregating, self-consolidating, free-flowing material which will result in a hardened, dense, non-settling fill.

8-30.2 MATERIALS

Materials shall meet the requirements of the following Sections of the Standard Specifications:

Portland Cement	9-01 Type II
Fly Ash	Class F or C
Aggregates	9-03.1
Water	9-25
Admixtures	9-23.6

8-30.3 CONSTRUCTION REQUIREMENTS

8-30.3(1) Construction Materials

The CDF shall be a mixture of Portland Cement, fly ash, aggregate, water, and admixtures which has been batched and mixed in accordance with Section 6-02.3 of the Standard Specifications.

The following table provides a guideline for proportioning the Controlled Density Fill for this project. The final mix provided by the Contractor shall result in a material which is excavatable by machine with a maximum unconfined compressive strength of 300 psi.

Water	50 gals per cubic yard
Cement	50 lbs per cubic yard
Fly Ash	250 lbs per cubic yard
Aggregate	3,200 lbs per cubic yard

The above table provides a guideline for the CDF mixture. The weights shown are only an estimate of the amount to be used per cubic yard of CDF. Actual amounts may vary from those shown as approved by the Engineer or approved mix data from similar projects which provided proper strength, workability, consistency, and density.

8-30.3(7) Placing Controlled Density Fill

The floatable CDF shall be placed in the trench area where directed by the Engineer or Inspector for smaller jobs and brought up uniformly to the elevation directed. In the cases where existing concrete slabs have been undermined by excavation, the Contractor shall ensure that the CDF is flowed completely under the slab.

Mixing and placing may be started if weather conditions are favorable, when the temperature is at least 34° F and rising. At the time of placement, CDF must have a temperature of at least 40° F. Mixing and placing shall stop when the temperature is 38° F and falling. Each filling stage shall be as continuous an operation as practicable. CDF shall not be placed on frozen ground.

The trench section to be filled with CDF shall be contained at either end of trench section by bulkhead or earth fill.

APPENDIX A

TRANSFER OF OWNERSHIP OF PUBLIC WORKS IMPROVEMENTS
(Individual)

_____, the Developer or Owner(s), do(es) hereby transfer(s), deliver(s) and relinquish(es) to the City of Selah, Washington, all right, title and interest in, and ownership of, the following described Public Works Improvement located at: _____

{ Water { Sewer { Stormwater { Streets

The undersigned owner(s) agree (s) and understand(s) that this transfer of ownership of the above described Public Improvement to the City of Selah is subject to the conditions of the 2nd paragraph of **Section 1-05.12 Final Acceptance** of the latest edition of the Standard Specifications for Road, Bridge, and Municipal Construction, Washington State Department of Transportation modified as follows:

"Final acceptance shall not constitute acceptance of any unauthorized or defective work or material. The City shall not be barred from requiring the Contractor to remove, replace, repair, or dispose of any unauthorized or defective work or material or from recovering damages for any such work or material for a period of two (2) years."

This Transfer of Ownership shall be effective only upon the City's final approval and acceptance of the Constructed Improvements and the acceptance of the Project Record Drawings.

PROPERTY OWNER/DEVELOPER DATE

ACCEPTED BY THE City of Selah

AUTHORIZED OFFICIAL DATE

Selah Construction Standards

STATE OF WASHINGTON)
) ss.
Yakima County)

I certify that I know of and have satisfactory evidence that _____ and (is/are) the person(s) who personally appeared before me and that said person(s) acknowledged that (he/she/they) signed this instrument, and acknowledged it to be (his/her/their) free and voluntary act and for the uses and purposes mentioned in the instrument.

Dated: _____

Given under my hand and official seal the day and year last written.

Notary Public in and for the State of Washington residing at _____

My Commission expires _____

TRANSFER OF OWNERSHIP OF PUBLIC WORKS IMPROVEMENT
(Corporate)

_____, the Developer or Owner(s), do(es) hereby transfer(s), deliver(s) and relinquish(es) to the City of Selah, Washington, all right, title and interest in, and ownership of, the following described Public Works Improvement located at: _____

{ Water { Sewer { Stormwater { Streets

The undersigned owner(s) agree (s) and understand(s) that this transfer of ownership of the above described Public Improvement to the City of Selah is subject to the conditions of the 2nd paragraph of **Section 1-05.12 Final Acceptance** of the latest edition of the Standard Specifications for Road, Bridge, and Municipal Construction, Washington State Department of Transportation modified as follows:

“Final acceptance shall not constitute acceptance of any unauthorized or defective work or material. The City shall not be barred from requiring the Contractor to remove, replace, repair, or dispose of any unauthorized or defective work or material or from recovering damages for any such work or material for a period of two (2) years.”

This Transfer of Ownership shall be effective only upon the City's final approval and acceptance of the Constructed Improvements and the acceptance of the Project Record Drawings.

PROPERTY OWNER/DEVELOPER

DATE

ACCEPTED BY THE City of Selah

AUTHORIZED OFFICIAL

DATE

Selah Construction Standards

STATE OF WASHINGTON)
) ss.
Yakima County)

I certify that I know or have satisfactory evidence that _____ Is the person who appeared before me, and said person acknowledged that he signed this instrument, on oath stated that he was authorized to execute the instrument, and acknowledged it as the _____ of _____ a _____ to be the free voluntary act of such party for the uses and purposes mentioned in the instrument.

Dated: _____

Given under my hand and official seal the day and year last written.

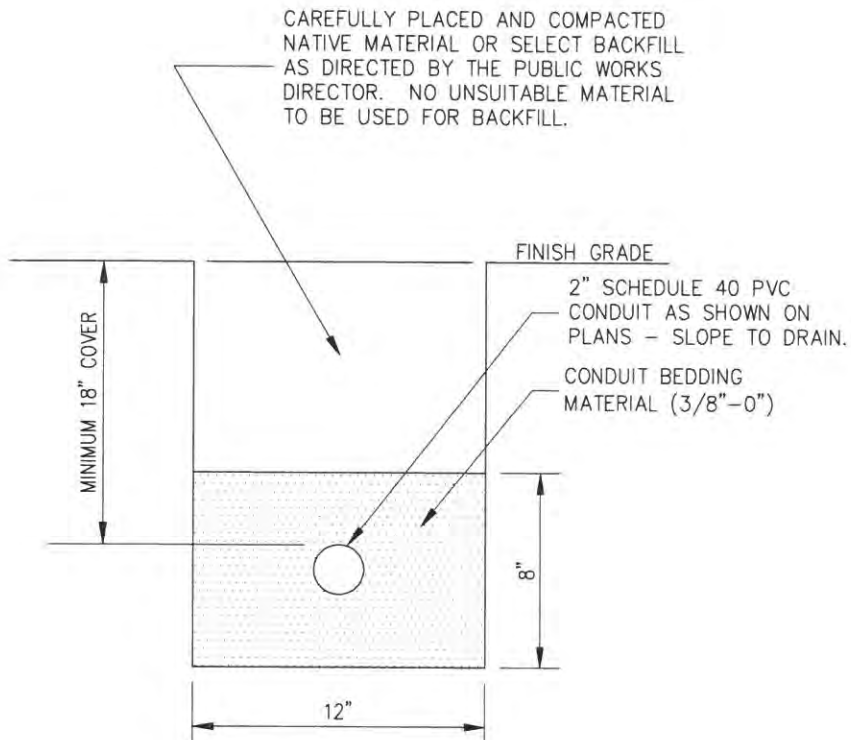
Notary Public in and for the State of Washington residing at _____

My Commission expires _____

APPENDIX B

SELAH STANDARD DETAILS

E-1	Conduit Trench
E-2	Junction Box
E-3	Street Light
E-3A	Street Light – Pacific Power Leased
SD-1	Catch Basin
SD-2	Type 2 Catch Basin
SD-3	Infiltration System
SS-1	Manhole (Type 1)
SS-2	Sanitary Sewer Cleanout
SS-3	Drop Connection
SS-4	Manhole Adjustment Detail
SS-5	Sewer/Storm Trench Section
SS-6	Manhole Safety Step
SS-7	Side Sewer Connection
ST-1	Roadway Section - Arterial
ST-2	Roadway Section - Collector
ST-3	Roadway Section - Local Access (Residential)
ST-4	Concrete Curb & Gutter
ST-5	Concrete Sidewalk Sections
ST-6	Sidewalk Ramp
ST-7	Sidewalk Jointing
ST-8	Residential Driveway Entrance
ST-9	Trench Surfacing Repair
ST-10	Monument
ST-11	Asphalt Sidewalk Ramp
ST-12	Cul-de-Sac Layout
ST-13	Bollard
ST-14	Cement Concrete Commercial Driveway
ST-15	Corner Lot Vision Clearance
W-1	Watermain Trench
W-2	Fire Hydrant Assembly
W-3	Water Service
W-4	Water Meter and Service Replacement
W-5	Water Valve Box
W-6	Air Release/Vacuum Valve
W-7	Blow-Off Assembly
W-8	Irrigation Backflow Preventer
W-9	Typical Thrust Blocking
W-10	Fire Hydrant Guard Posts
W-11	Fire Service



CONDUIT TRENCH SECTION

NOT TO SCALE

NOTES:

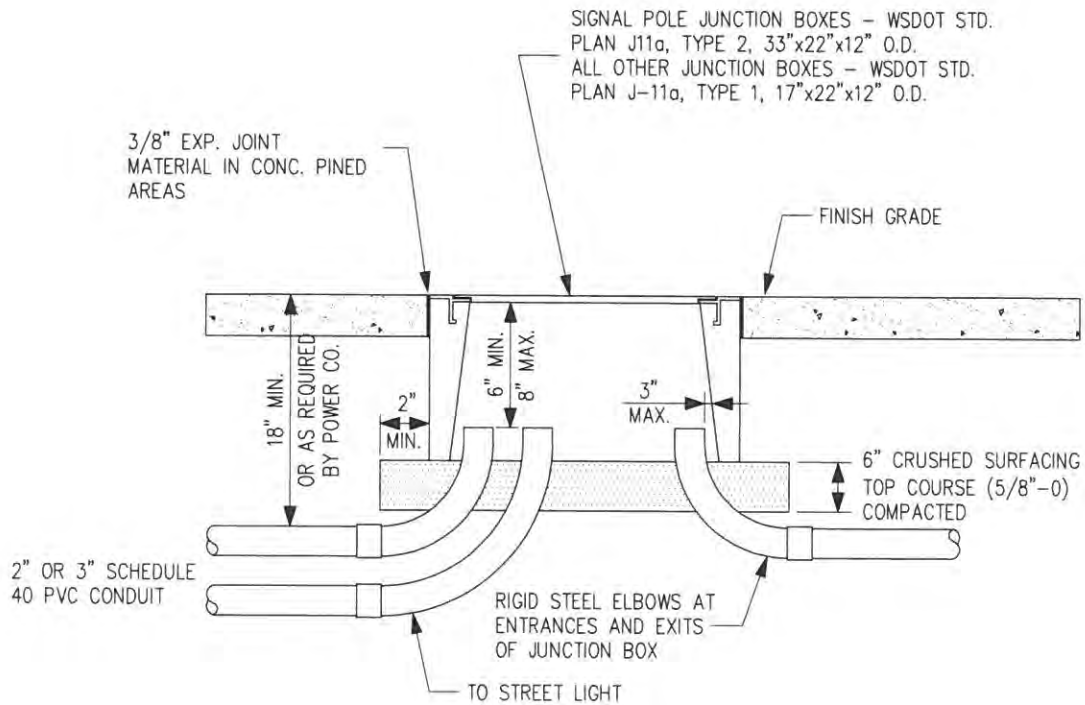
- ONLY THE LATEST DETAIL, AS APPROVED BY THE DIRECTOR OF PUBLIC WORKS, SHALL BE USED.

ORIG.	10/06		
Revision	Date	Description	Appr

CITY OF SELAH—STANDARD DETAIL

CONDUIT TRENCH

E-1



CONDUIT ENTRANCE AT JUNCTION BOX

NOT TO SCALE

NOTES:

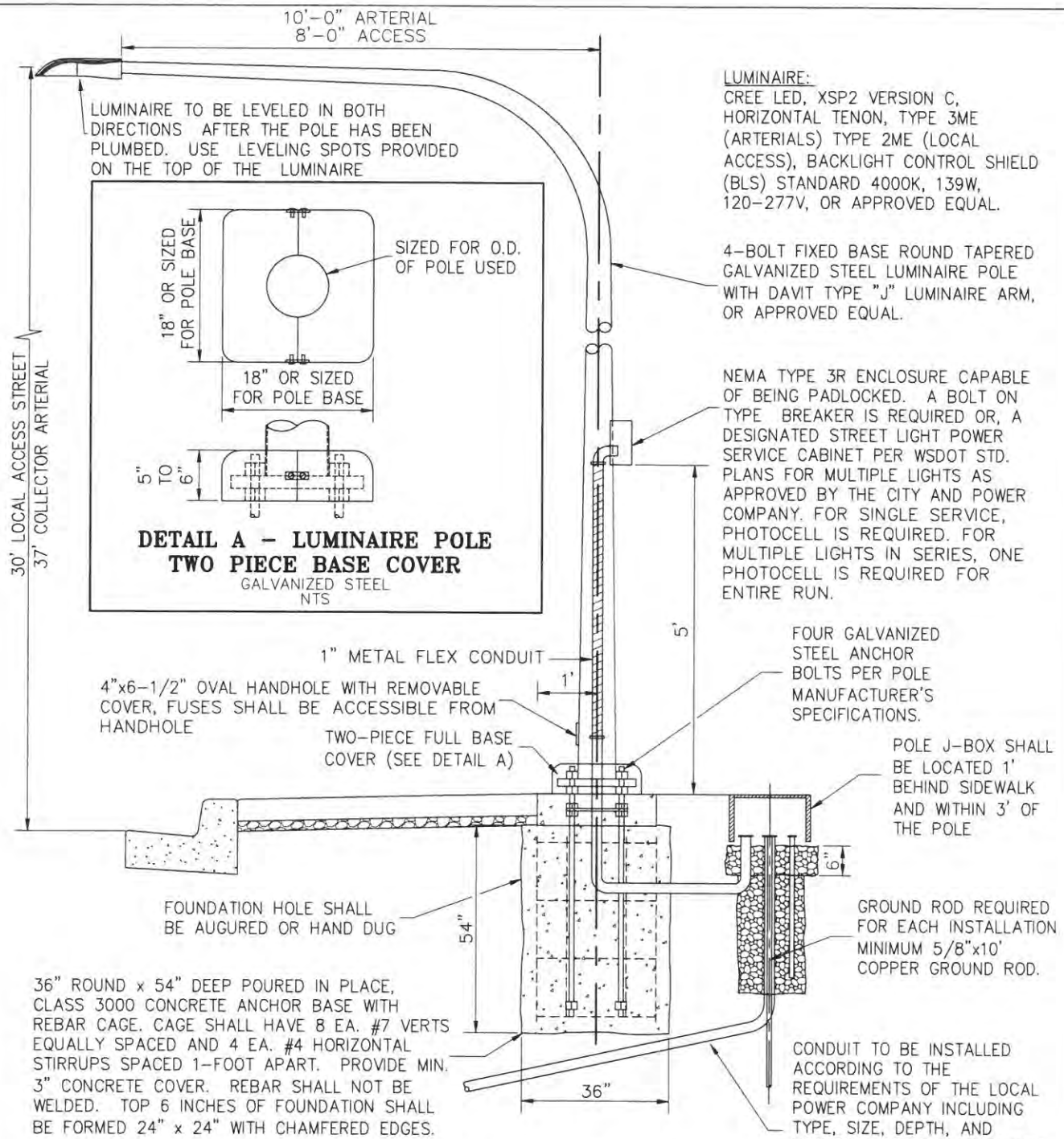
- GROUND ROD FOR PVC CONDUIT OR NO. 8 AWG BONDING JUMPER FOR METAL CONDUIT (RIGID) REQUIRED AT EACH JUNCTION BOX. SEE PLANS FOR CONDUIT TYPE.
- ONLY THE LATEST DETAIL, AS APPROVED BY THE DIRECTOR OF PUBLIC WORKS, SHALL BE USED.

ORIG.	10/06		
Revision	Date	Description	Appr

CITY OF SELAH—STANDARD DETAIL

JUNCTION BOX

E-2



TYPICAL SECTION
NTS

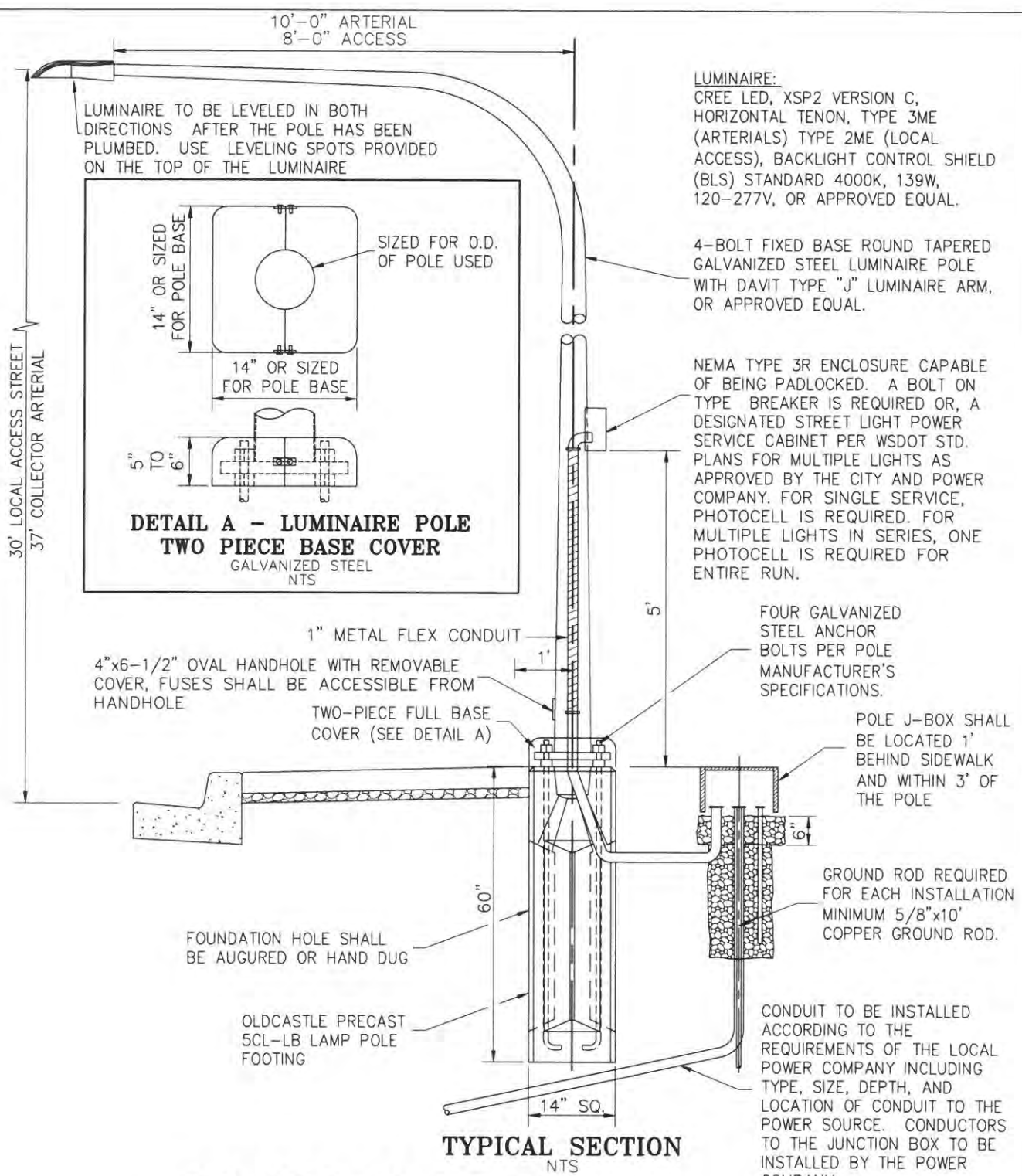
STREET LIGHT DETAIL

NOT TO SCALE

NOTES:

- ONLY THE LATEST DETAIL, AS APPROVED BY THE DIRECTOR OF PUBLIC WORKS, SHALL BE USED.

	09/15	LED LUMINAIRE	
ORIG.	10/06		
Revision	Date	Description	Appr

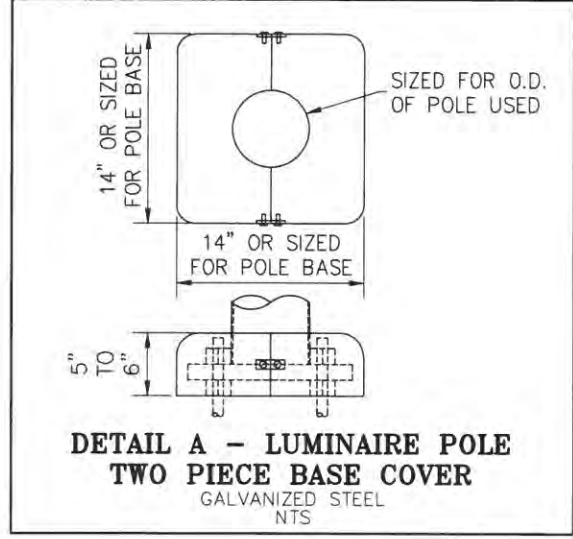


LUMINAIRE TO BE LEVELED IN BOTH DIRECTIONS AFTER THE POLE HAS BEEN PLUMBED. USE LEVELING SPOTS PROVIDED ON THE TOP OF THE LUMINAIRE

LUMINAIRE:
 CREE LED, XSP2 VERSION C,
 HORIZONTAL TENON, TYPE 3ME
 (ARTERIALS) TYPE 2ME (LOCAL
 ACCESS), BACKLIGHT CONTROL SHIELD
 (BLS) STANDARD 4000K, 139W,
 120-277V, OR APPROVED EQUAL.

4-BOLT FIXED BASE ROUND TAPERED GALVANIZED STEEL LUMINAIRE POLE WITH DAVIT TYPE "J" LUMINAIRE ARM, OR APPROVED EQUAL.

NEMA TYPE 3R ENCLOSURE CAPABLE OF BEING PADLOCKED. A BOLT ON TYPE BREAKER IS REQUIRED OR, A DESIGNATED STREET LIGHT POWER SERVICE CABINET PER WSDOT STD. PLANS FOR MULTIPLE LIGHTS AS APPROVED BY THE CITY AND POWER COMPANY. FOR SINGLE SERVICE, PHOTOCELL IS REQUIRED. FOR MULTIPLE LIGHTS IN SERIES, ONE PHOTOCELL IS REQUIRED FOR ENTIRE RUN.



30' LOCAL ACCESS STREET
 37' COLLECTOR ARTERIAL

1" METAL FLEX CONDUIT
 4"x6-1/2" OVAL HANDHOLE WITH REMOVABLE COVER, FUSES SHALL BE ACCESSIBLE FROM HANDHOLE
 TWO-PIECE FULL BASE COVER (SEE DETAIL A)

FOUR GALVANIZED STEEL ANCHOR BOLTS PER POLE MANUFACTURER'S SPECIFICATIONS.

POLE J-BOX SHALL BE LOCATED 1' BEHIND SIDEWALK AND WITHIN 3' OF THE POLE

GROUND ROD REQUIRED FOR EACH INSTALLATION MINIMUM 5/8"x10' COPPER GROUND ROD.

FOUNDATION HOLE SHALL BE AUGURED OR HAND DUG

OLDCASTLE PRECAST 5CL-LB LAMP POLE FOOTING

CONDUIT TO BE INSTALLED ACCORDING TO THE REQUIREMENTS OF THE LOCAL POWER COMPANY INCLUDING TYPE, SIZE, DEPTH, AND LOCATION OF CONDUIT TO THE POWER SOURCE. CONDUCTORS TO THE JUNCTION BOX TO BE INSTALLED BY THE POWER COMPANY.

TYPICAL SECTION
 NTS

STREET LIGHT DETAIL

NOT TO SCALE

NOTES:

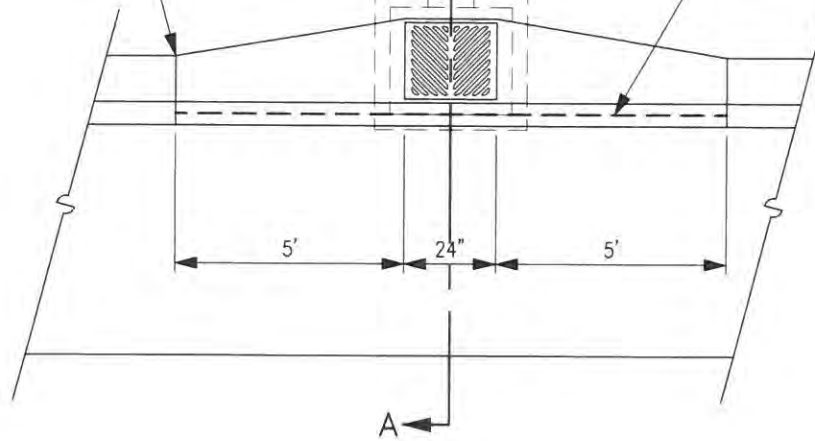
- ONLY THE LATEST DETAIL, AS APPROVED BY THE DIRECTOR OF PUBLIC WORKS, SHALL BE USED.

	04/19	PACIFIC POWER BASE	
	09/15	LED LUMINAIRE	
ORIG.	10/06		
Revision	Date	Description	Appr

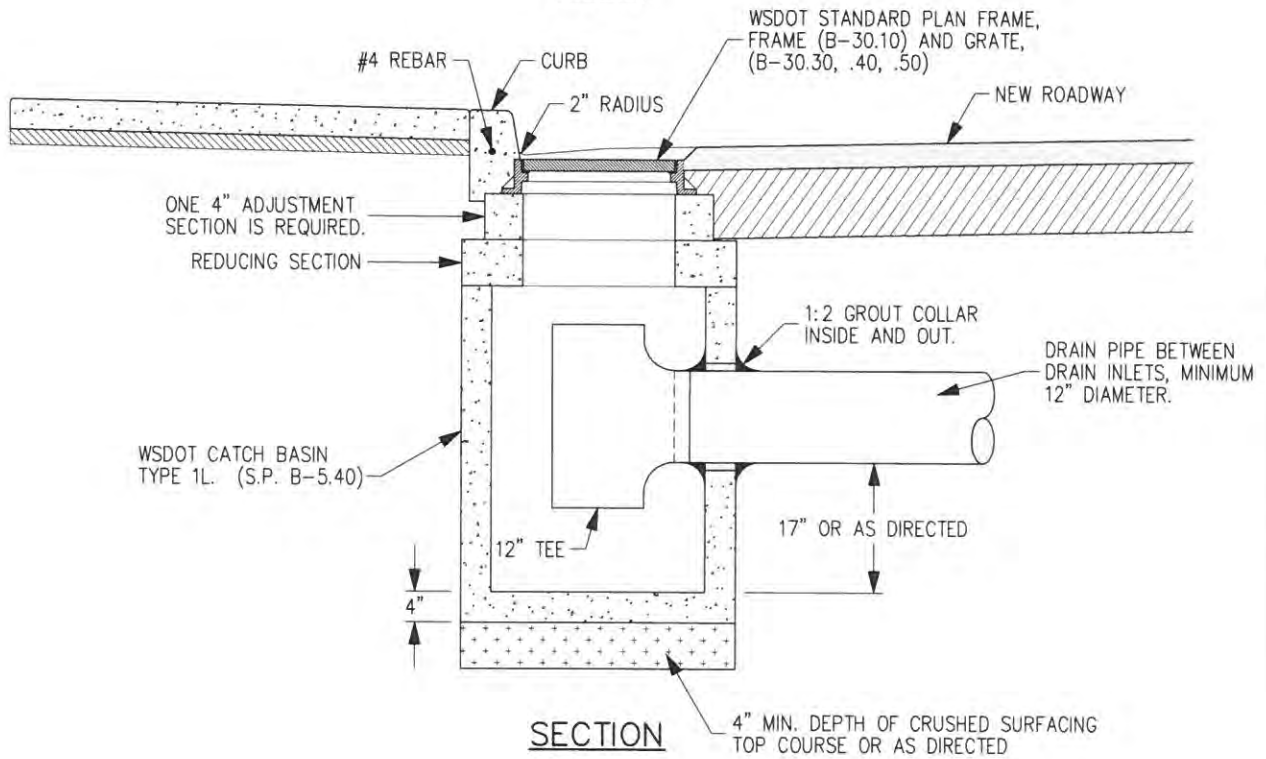
3/8" EXP. JOINT MATERIAL. (TYP)

A

#4 REBAR



PLAN



SECTION

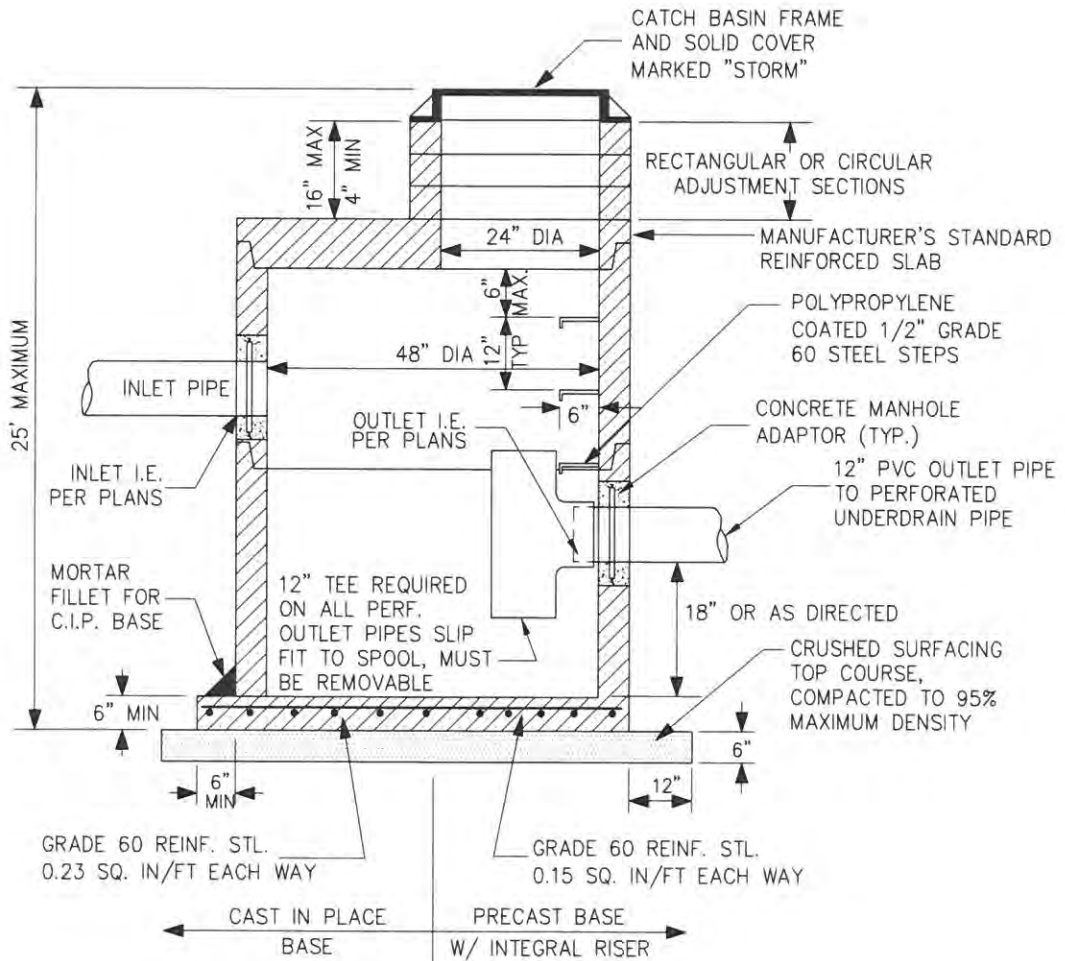
CATCH BASIN DETAIL

NOT TO SCALE

NOTES:

- USE VANED GRATES WHEN STREET GRADE EXCEEDS 4%.
- FRAMES AND GRATES SHALL BE MANUFACTURED IN THE UNITED STATES.
- ONLY THE LATEST DETAIL, AS APPROVED BY THE DIRECTOR OF PUBLIC WORKS, SHALL BE USED.

REV 1	01/12	CHANGED ELBOW TO TEE	
ORIG.	10/06		
Revision	Date	Description	Appr



48" DIA. TYPE 2 CATCH BASIN (S.P. B-10.20)

NOT TO SCALE

NOTES:

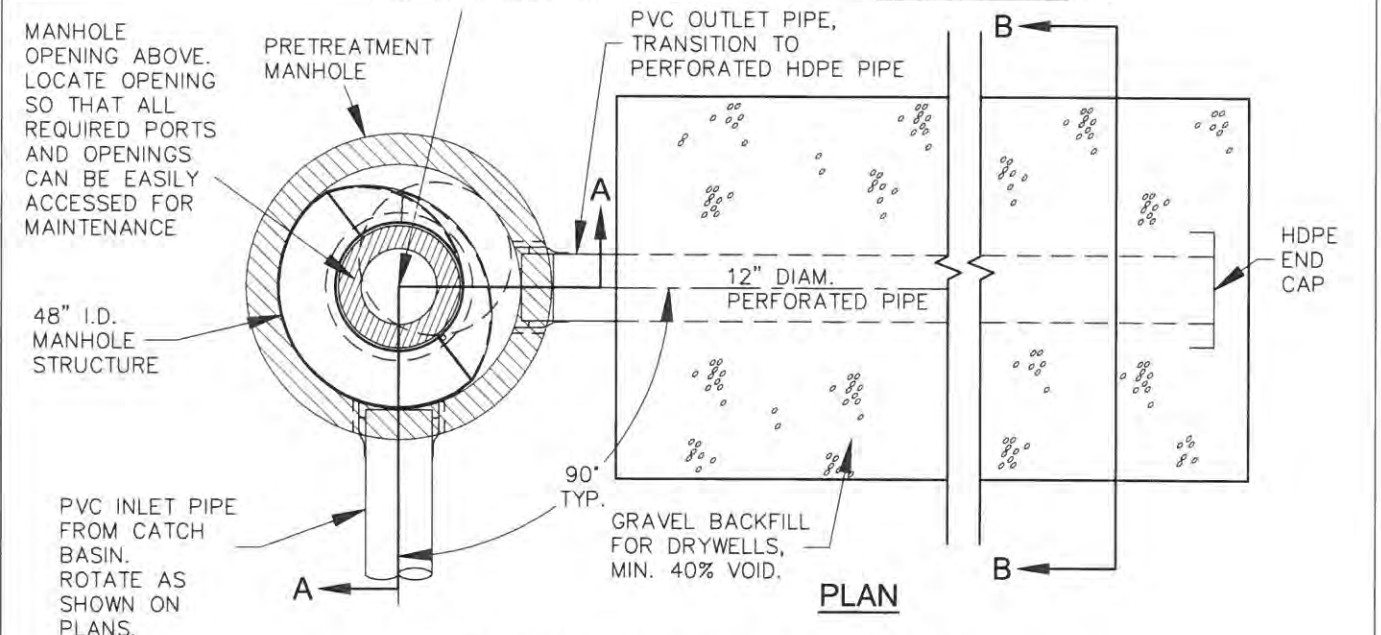
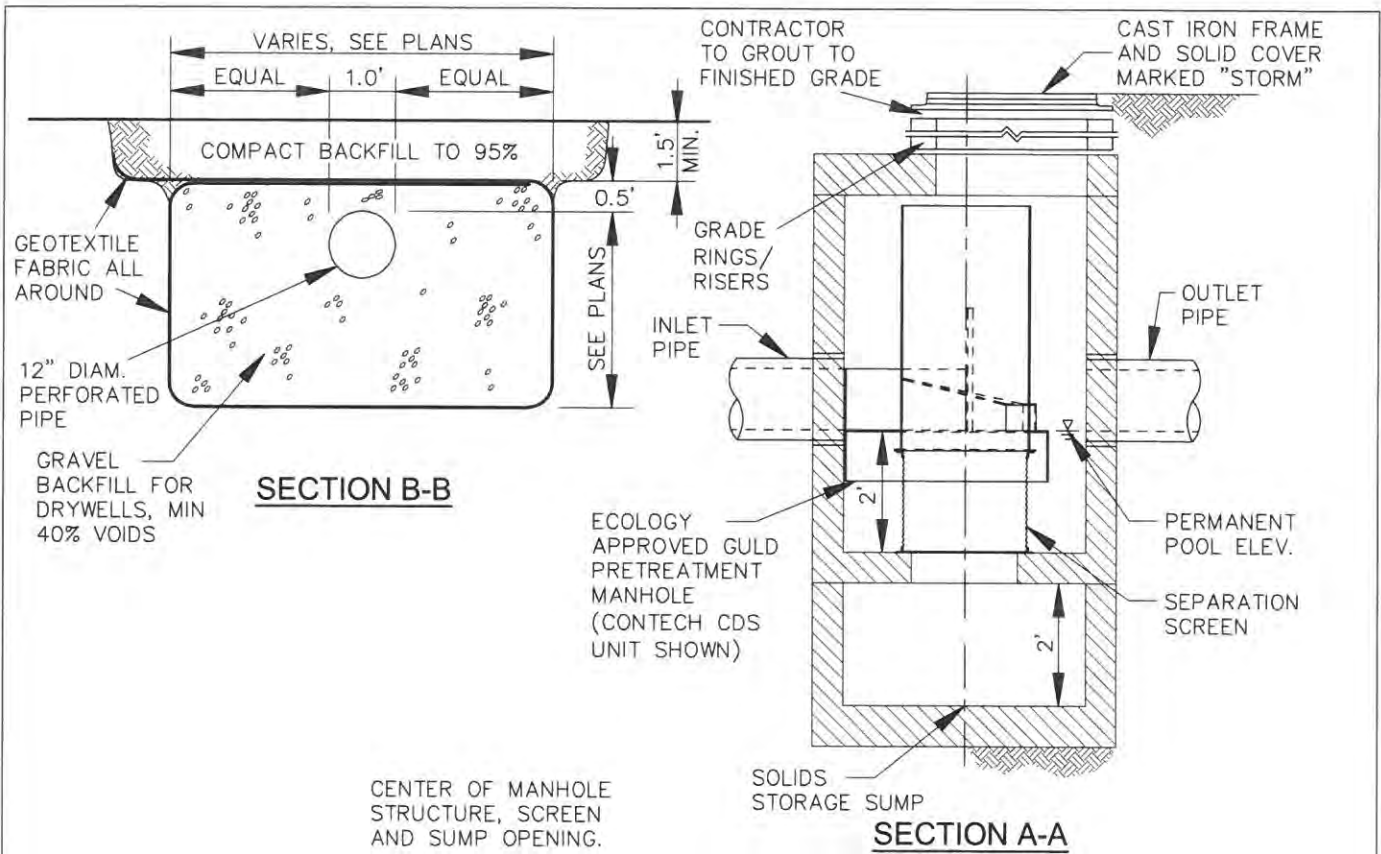
- FRAME AND GRATE SHALL BE MANUFACTURED IN THE UNITED STATES.
- SEE STANDARD DETAIL SS-4 FOR CATCH BASIN FRAME/ COVER ADJUSTMENT.
- ONLY THE LATEST DETAIL, AS APPROVED BY THE DIRECTOR OF PUBLIC WORKS, SHALL BE USED.

ORIG.	10/06				
Revision	Date	Description			Appr

CITY OF SELAH—STANDARD DETAIL

TYPE 2 CATCH BASIN

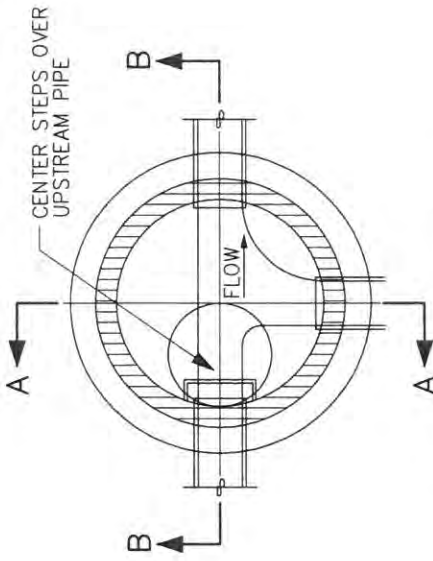
SD-2



INFILTRATION SYSTEM
NOT TO SCALE

- NOTES:**
- ONLY THE LATEST DETAIL, AS APPROVED BY THE DIRECTOR OF PUBLIC WORKS, SHALL BE USED.

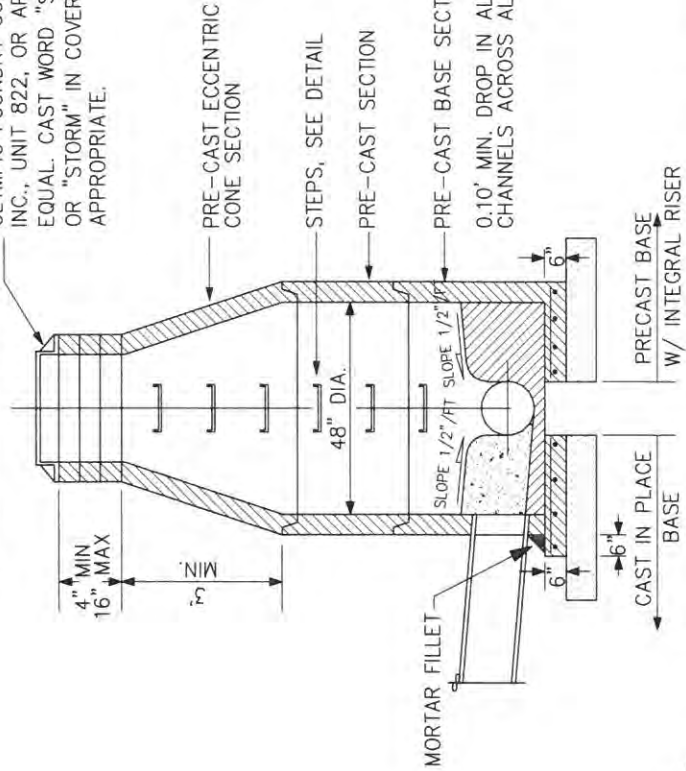
ORIG.	09/15		
Revision	Date	Description	Appr



FOR MANHOLES LESS THAN 8' HIGH, USE SHALLOW MANHOLE.

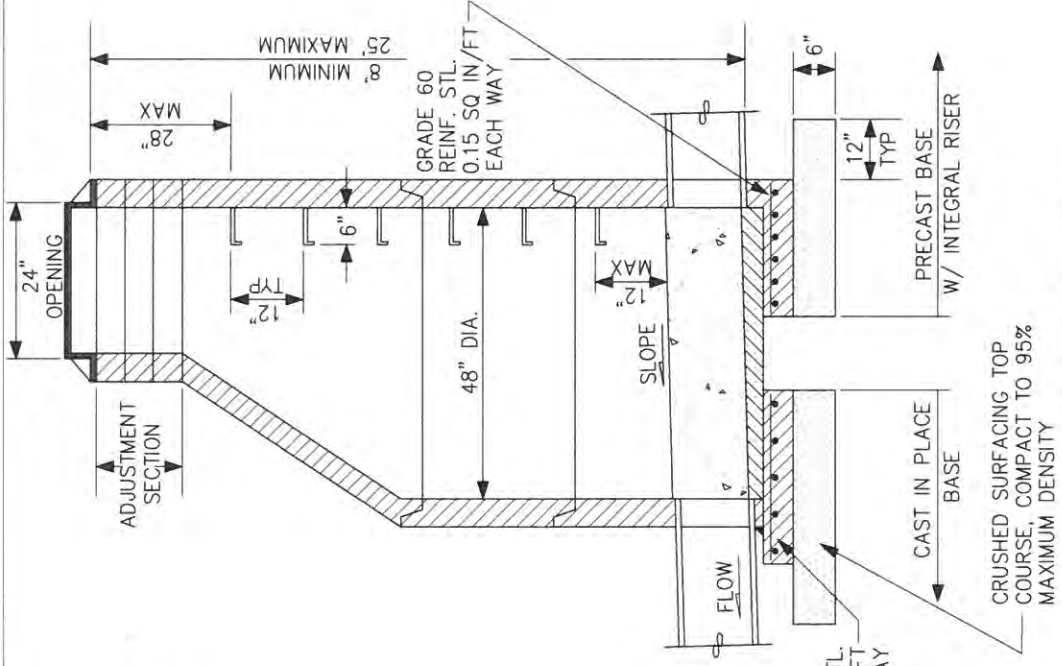
PLAN VIEW

CAST IRON FRAME & COVER
OLYMPIC FOUNDRY COMPANY,
INC., UNIT 822, OR APPROVED
EQUAL CAST WORD "SEWER"
OR "STORM" IN COVER AS
APPROPRIATE.



NOTES:
• ONLY THE LATEST DETAIL, AS APPROVED BY THE DIRECTOR OF PUBLIC WORKS, SHALL BE USED.

SECTION A-A



SECTION B-B

Revision	Date	Description	Appr
ORIG.	10/06		

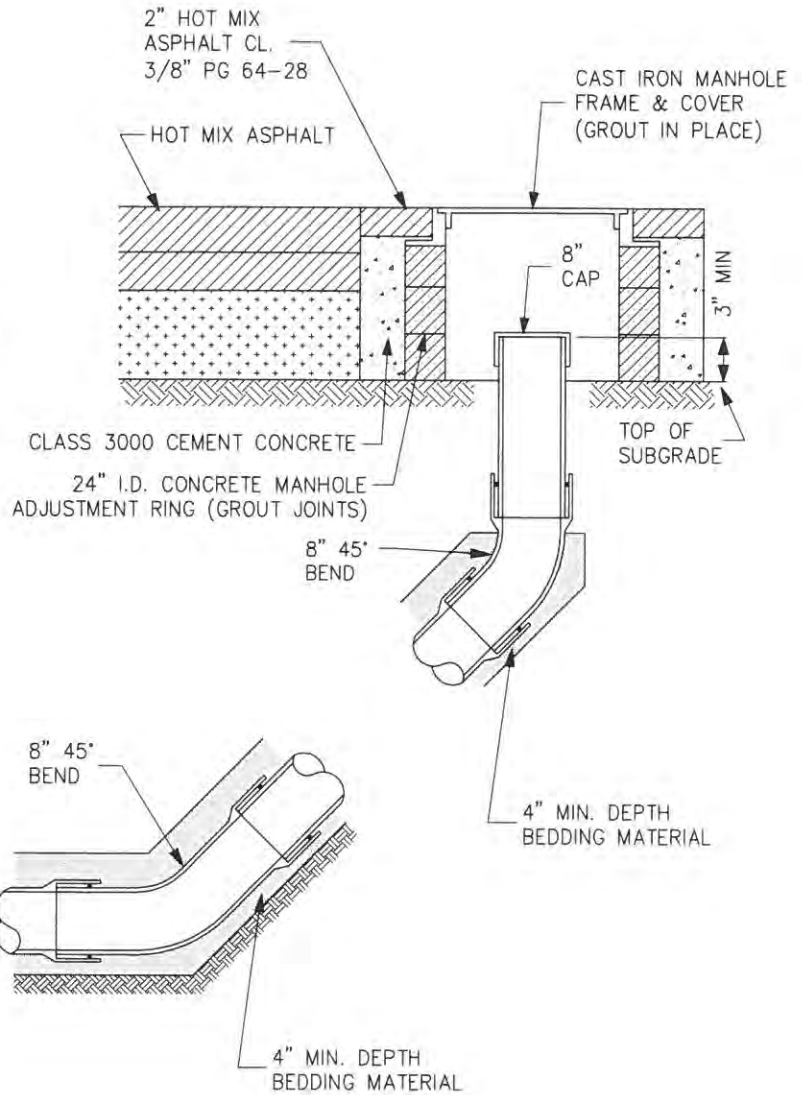
CITY OF SELAH—STANDARD DETAIL

MANHOLE (TYPE 1)

SS-1

NOTES:

1. CAST IRON FRAME & COVER SHALL BE OLYMPIC FOUNDRY COMPANY INC., UNIT 247 OR APPROVED EQUAL.
2. IN UNPAVED AREAS, SET FRAME & COVER FLUSH WITH FINISHED GRADE. EXTEND 12" THICK, 2' DIAMETER, CEMENT CONCRETE RING FLUSH WITH FRAME AND SLOPE OUTWARD AT 1/4"/FT.
3. CLEANOUT PIPE SHALL BE 8" DIA. PVC SEWER PIPE IN ACCORDANCE W/ THE STANDARD SPECIFICATIONS.



SANITARY SEWER CLEANOUT

NOT TO SCALE

NOTES:

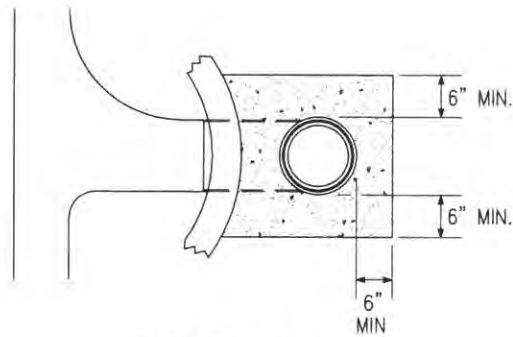
- ONLY THE LATEST DETAIL, AS APPROVED BY THE DIRECTOR OF PUBLIC WORKS, SHALL BE USED.

REV.	01/12	ADDED MANHOLE COVER	
ORIG.	10/06		
Revision	Date	Description	Appr

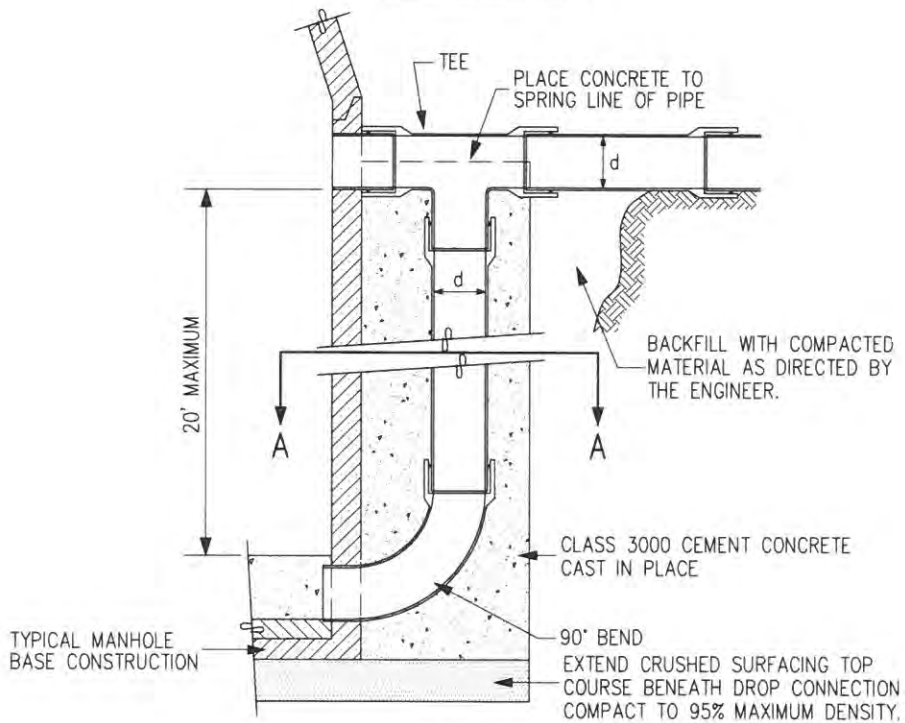
CITY OF SELAH—STANDARD DETAIL

SANITARY SEWER CLEANOUT

SS-2



SECTION A-A



PROFILE VIEW

DROP CONNECTION

NOT TO SCALE

NOTES:

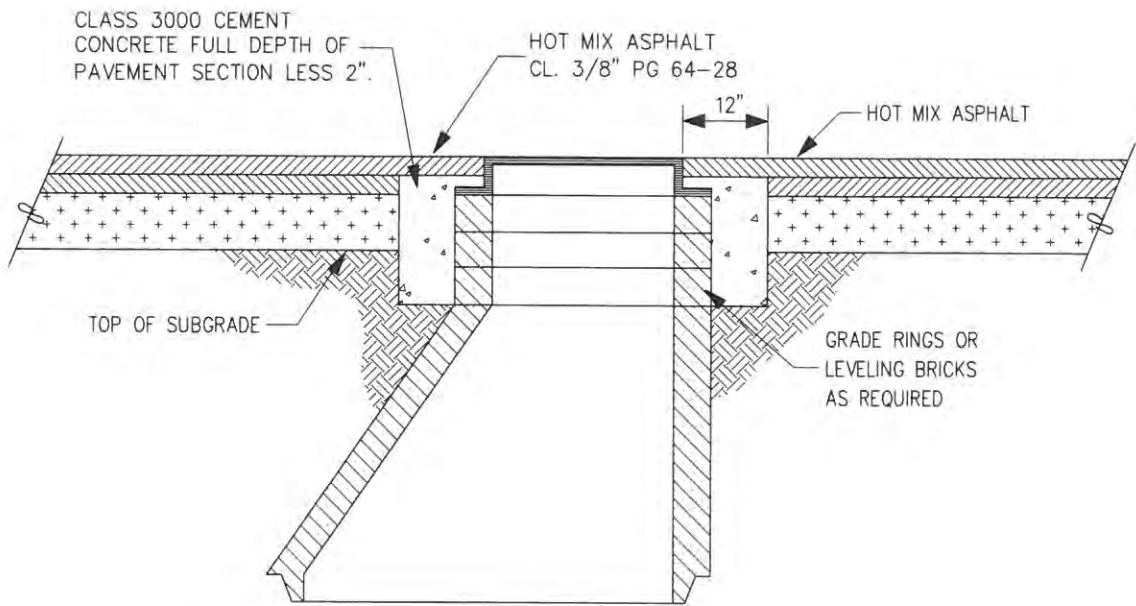
- ONLY THE LATEST DETAIL, AS APPROVED BY THE DIRECTOR OF PUBLIC WORKS, SHALL BE USED.

ORIG.	10/06		
Revision	Date	Description	Appr

CITY OF SELAH—STANDARD DETAIL

DROP CONNECTION

SS-3



NOTES:

1. MANHOLES SHALL BE ADJUSTED TO FINISHED GRADE AFTER PLACEMENT OF THE FINAL LIFT OF ASPHALT PAVEMENT.
2. GRADE RINGS AND/OR LEVELING BRICKS SHALL BE GROUTED IN PLACE AND BE WATER TIGHT.
3. IN UNPAVED AREAS, PROVIDE 12" THICK, 5' DIA. CEMENT CONCRETE RING AROUND TOP OF MANHOLE. SET MANHOLE FRAME FLUSH W/ FINISHED GRADE AND SLOPE CONCRETE OUTWARD AT 1/4"/FT.

MANHOLE ADJUSTMENT DETAIL

NOT TO SCALE

NOTES:

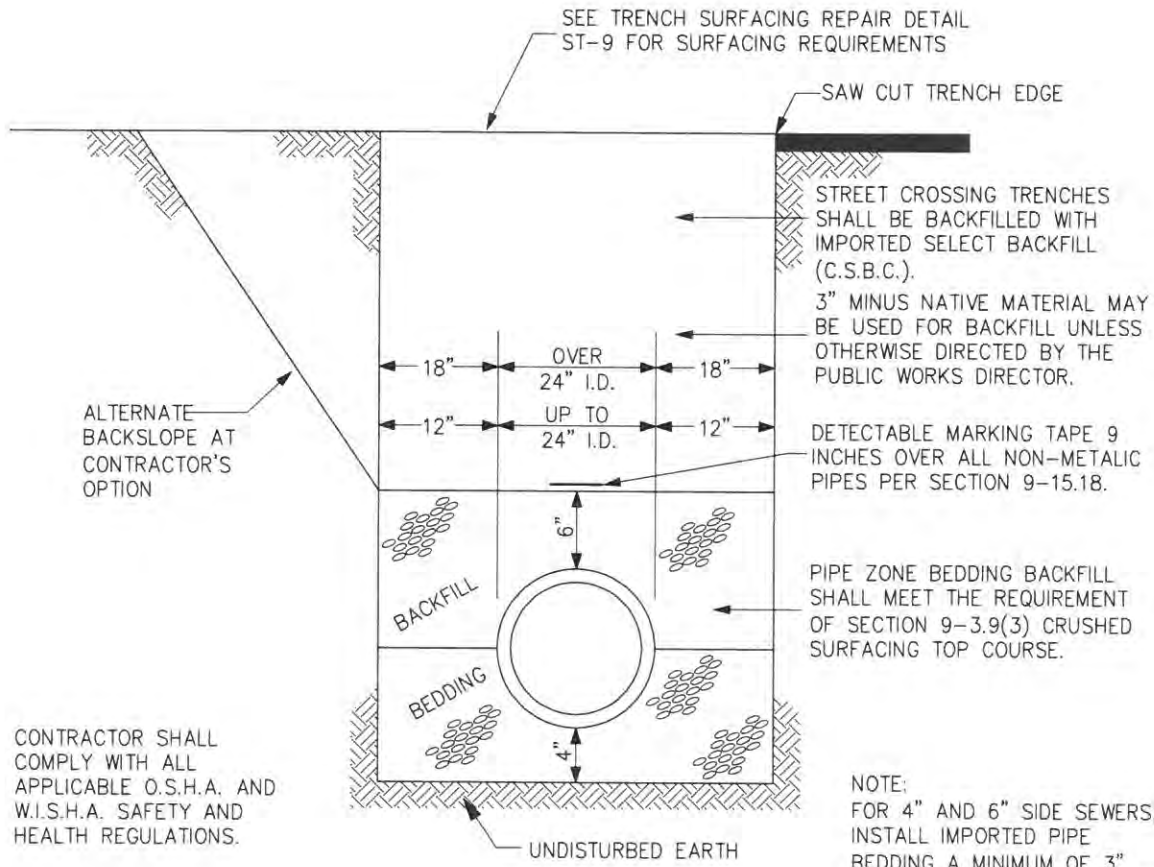
- ONLY THE LATEST DETAIL, AS APPROVED BY THE DIRECTOR OF PUBLIC WORKS, SHALL BE USED.

ORIG.	10/06		
Revision	Date	Description	Appr

CITY OF SELAH—STANDARD DETAIL

MANHOLE ADJUSTMENT DETAIL

SS-4



CONTRACTOR SHALL COMPLY WITH ALL APPLICABLE O.S.H.A. AND W.I.S.H.A. SAFETY AND HEALTH REGULATIONS.

NOTE:
FOR 4" AND 6" SIDE SEWERS, INSTALL IMPORTED PIPE BEDDING A MINIMUM OF 3" THICK ON ALL SIDES OF PIPE.

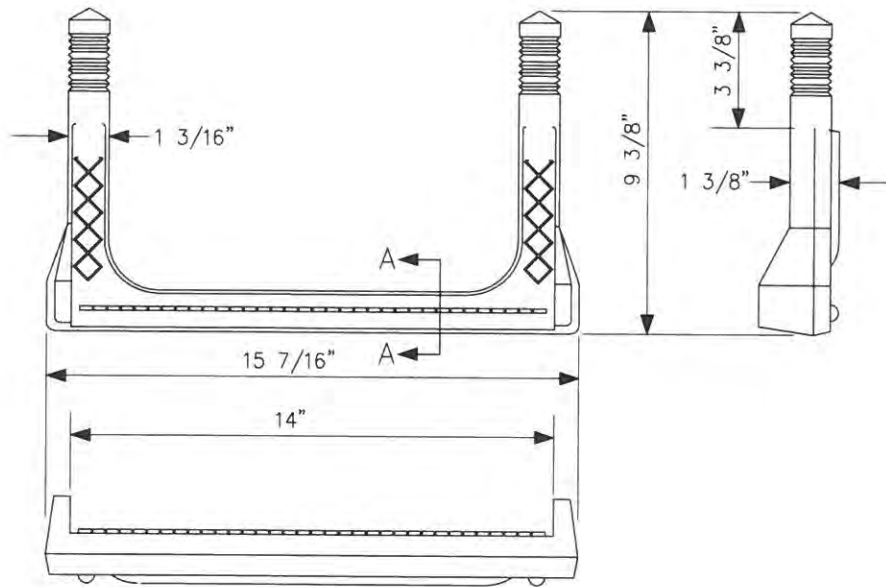
TYPICAL TRENCH SECTION FOR SANITARY AND STORM SEWER PIPES

NOT TO SCALE

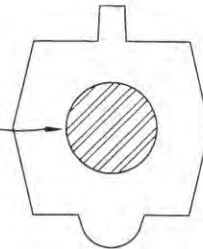
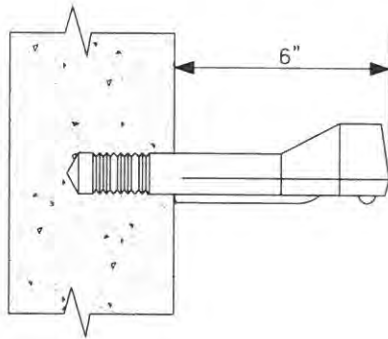
NOTES:

- MECHANICAL TAMPING AND COMPACTION REQUIRED AS DIRECTED BY THE CITY. WATER SETTLING MAY ONLY BE USED OUTSIDE THE ROADWAY PRISM WHEN APPROVED BY THE CITY.
- ONLY THE LATEST DETAIL, AS APPROVED BY THE DIRECTOR OF PUBLIC WORKS, SHALL BE USED.

ORIG.	10/06		
	6/14	SAWCUT UPDATE	
Revision	Date	Description	Appr



COPOLYMER POLYPROPYLENE
 PLASTIC 1/2" GRADE 60
 STEEL REINFORCEMENT



SECTION A-A

NOTE:
 MANHOLE STEPS SHALL BE COPOLYMER
 POLYPROPYLENE PLASTIC COATED 1/2"
 GRADE 60 STEEL REINFORCEMENT, MODEL
 PS2-PF, AS MANUFACTURED BY M.A.
 INDUSTRIES INC., OR APPROVED EQUAL

MANHOLE SAFETY STEP

NOT TO SCALE

NOTES:

- ONLY THE LATEST DETAIL, AS APPROVED BY THE DIRECTOR OF PUBLIC WORKS, SHALL BE USED.

ORIG.	10/06		
Revision	Date	Description	Appr

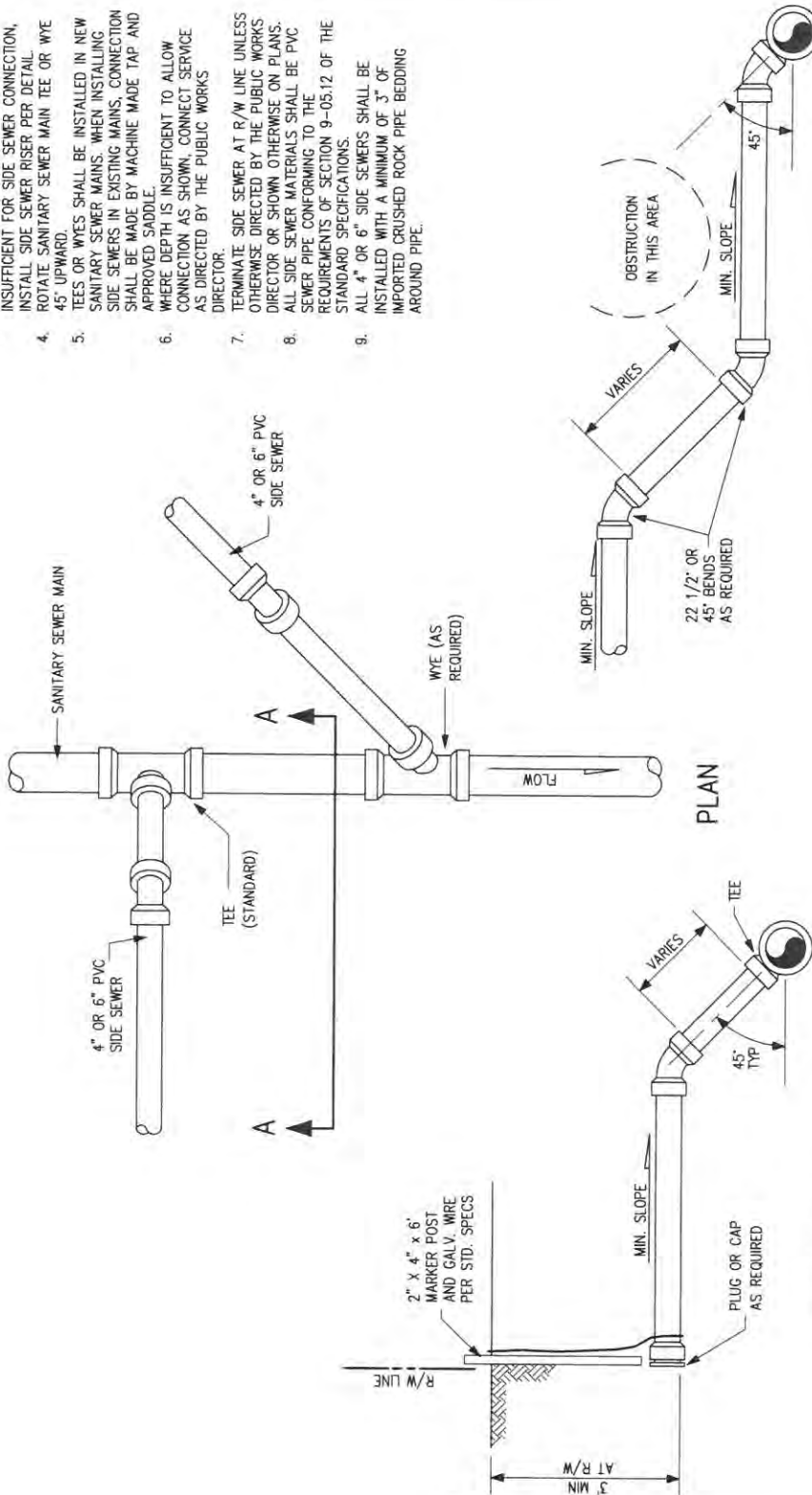
CITY OF SELAH-STANDARD DETAIL

MANHOLE SAFETY STEP

SS-6

NOTES:

1. SIDE SEWERS SHALL BE INSTALLED IN ACCORDANCE WITH SEC. 7-18 OF THE STANDARD SPECIFICATIONS
2. SERVICE CONNECTIONS 8" OR LARGER MUST BE MADE AT MANHOLE.
3. IF 5' MAXIMUM SLOPED DISTANCE IS INSUFFICIENT FOR SIDE SEWER CONNECTION, INSTALL SIDE SEWER RISER PER DETAIL.
4. ROTATE SANITARY SEWER MAIN TEE OR WYE 45° UPWARD.
5. TEES OR WYES SHALL BE INSTALLED IN NEW SANITARY SEWER MAINS. WHEN INSTALLING SIDE SEWERS IN EXISTING MAINS, CONNECTION SHALL BE MADE BY MACHINE MADE TAP AND APPROVED SADDLE.
6. WHERE DEPTH IS INSUFFICIENT TO ALLOW CONNECTION AS SHOWN, CONNECT SERVICE AS DIRECTED BY THE PUBLIC WORKS DIRECTOR.
7. TERMINATE SIDE SEWER AT R/W LINE UNLESS OTHERWISE DIRECTED BY THE PUBLIC WORKS DIRECTOR OR SHOWN OTHERWISE ON PLANS.
8. ALL SIDE SEWER MATERIALS SHALL BE PVC SEWER PIPE CONFORMING TO THE REQUIREMENTS OF SECTION 9-05.12 OF THE STANDARD SPECIFICATIONS.
9. ALL 4" OR 6" SIDE SEWERS SHALL BE INSTALLED WITH A MINIMUM OF 3" OF IMPORTED CRUSHED ROCK PIPE BEDDING AROUND PIPE.



CONNECTION AT OBSTRUCTION

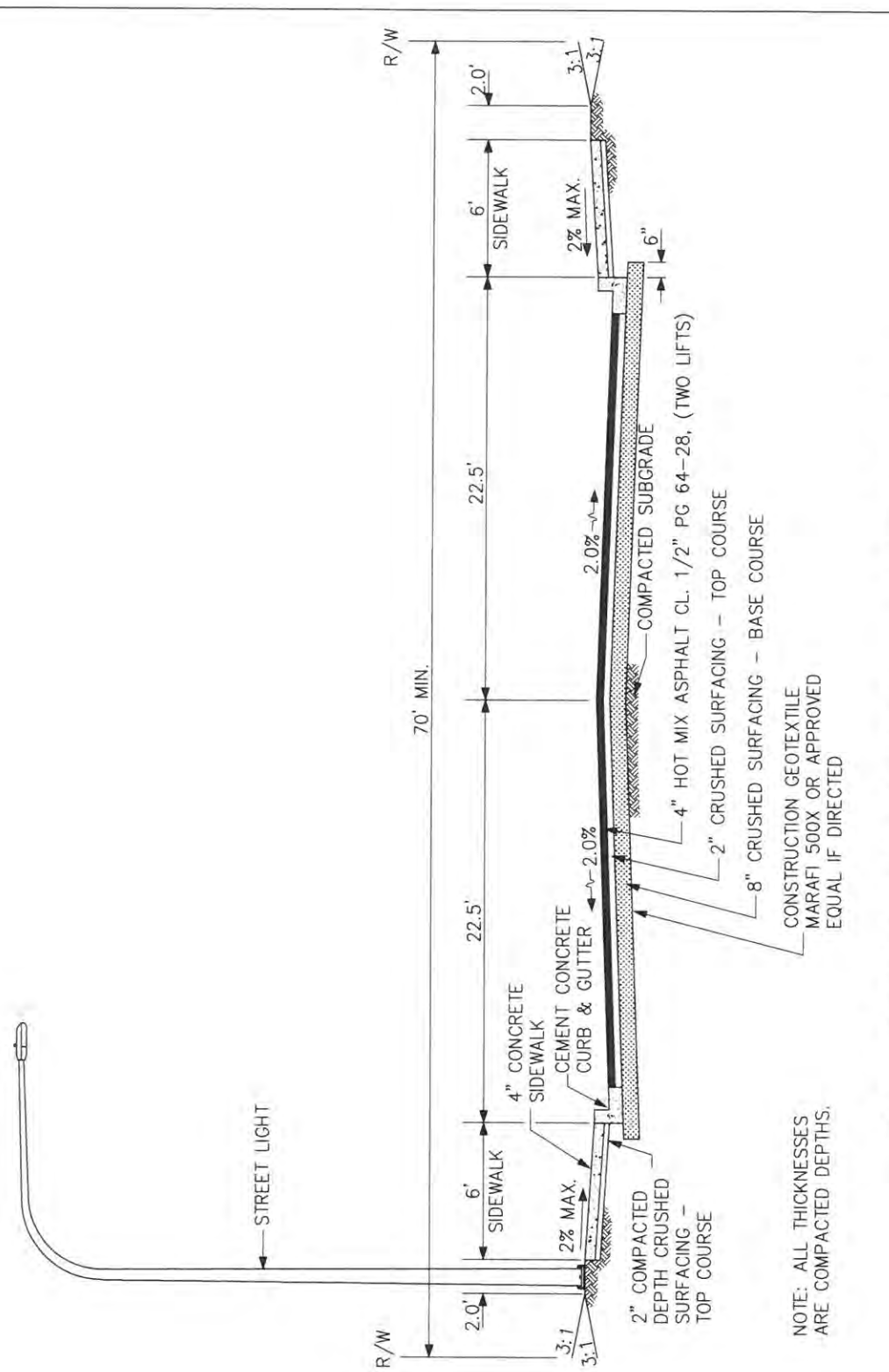
SIDE SEWER CONNECTIONS
NOT TO SCALE

SECTION A-A

NOTES:

- ONLY THE LATEST DETAIL, AS APPROVED BY THE DIRECTOR OF PUBLIC WORKS, SHALL BE USED.

Revision	Date	Description	Appr
ORIG.	10/06		



ROADWAY SECTION - ARTERIAL

NOT TO SCALE

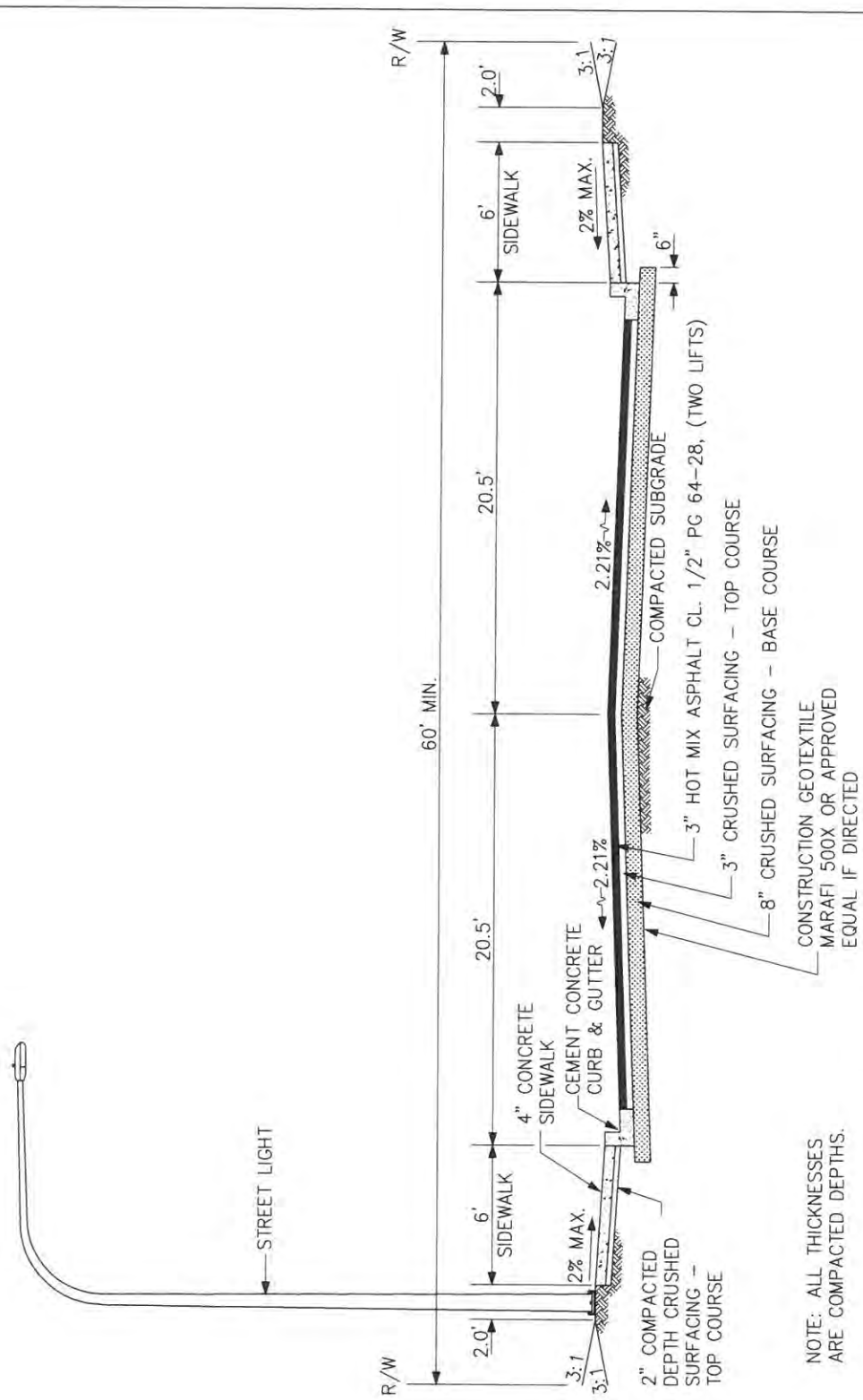
NOTE: ALL THICKNESSES ARE COMPACTED DEPTHS.

NOTE: ALL THICKNESSES ARE COMPACTED DEPTHS.

NOTES:

- ONLY THE LATEST DETAIL, AS APPROVED BY THE DIRECTOR OF PUBLIC WORKS, SHALL BE USED.

Revision	Date	Description	Appr
REV.	01/12	WIDENED SIDEWALK TO 6'	
ORIG.	10/06		



NOTE: ALL THICKNESSES ARE COMPACTED DEPTHS.

CONSTRUCTION GEOTEXTILE MARAFI 500X OR APPROVED EQUAL IF DIRECTED

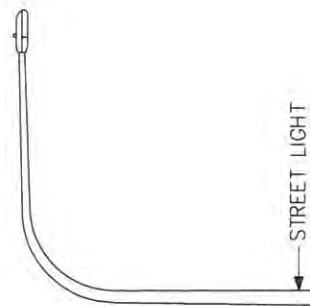
ROADWAY SECTION - COLLECTOR

NOT TO SCALE

NOTES:

- ONLY THE LATEST DETAIL, AS APPROVED BY THE DIRECTOR OF PUBLIC WORKS, SHALL BE USED.

Revision	Date	Description	Appr
REV.	01/12	WIDENED SIDEWALK TO 6'	
ORIG.	10/06		



- NOTE:
1. ALL THICKNESSES ARE COMPACTED DEPTHS.
 2. *IF MOUNTABLE CURB AND GUTTER SECTION IS APPROVED, SIDEWALK SHALL BE 6" DEPTH.

3" HOT MIX ASPHALT CL. 1/2" PG 64-28
 3" CRUSHED SURFACING - TOP COURSE
 8" CRUSHED SURFACING - BASE COURSE
 CONSTRUCTION GEOTEXTILE MARAFI 500X OR APPROVED EQUAL IF DIRECTED

ROADWAY SECTION - LOCAL ACCESS (RESIDENTIAL)

NOT TO SCALE

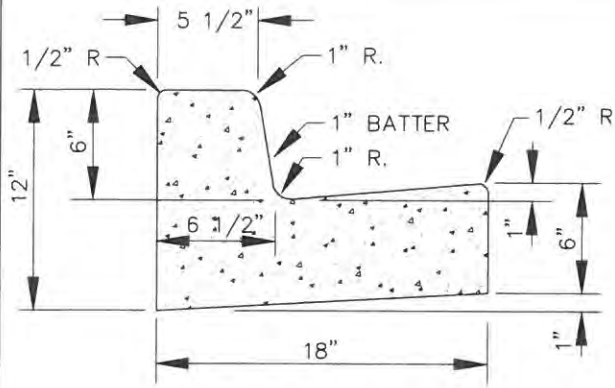
NOTES:
 • ONLY THE LATEST DETAIL, AS APPROVED BY THE DIRECTOR OF PUBLIC WORKS, SHALL BE USED.

Revision	Date	Description	Appr
REV.	01/12	WIDENED SIDEWALK TO 6'	
ORIG.	10/06		

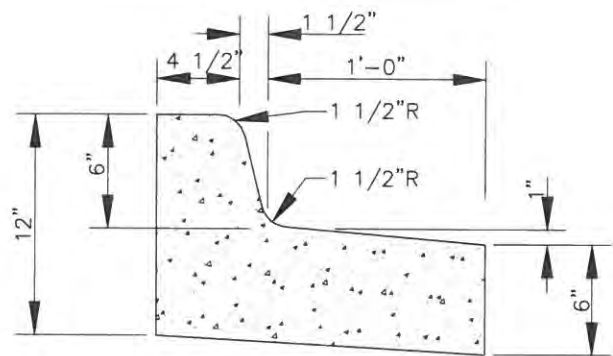
CITY OF SELAH-STANDARD DETAIL

ROADWAY SECTION - LOCAL ACCESS
 (RESIDENTIAL)

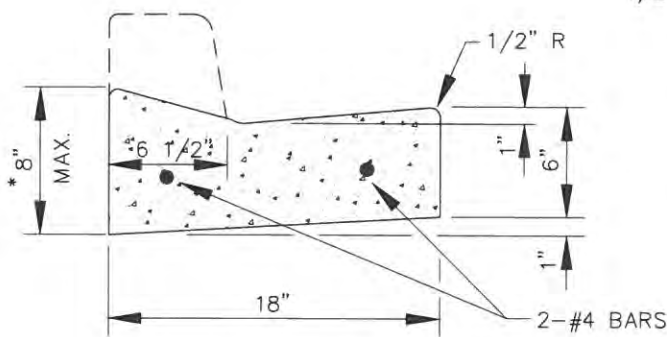
ST-3



FULL HEIGHT - BARRIER



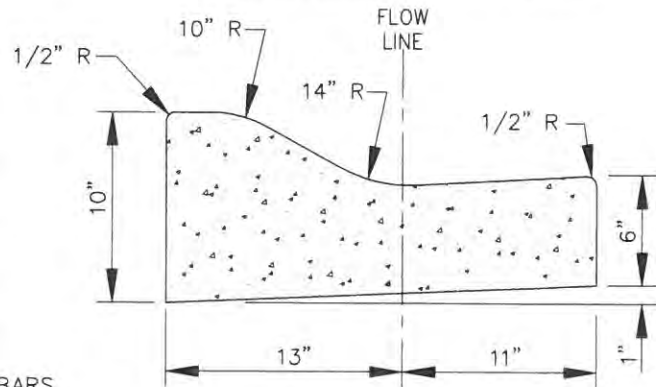
CONCRETE SPILL CURB



DEPRESSED - DRIVEWAYS

NOTE:

* AS DIRECTED BY ENGINEER. MAY VARY DEPENDING UPON GRADE OF SIDEWALK AND DRIVEWAY BEYOND CURB.



MOUNTABLE - ROLLED CURB

NOTE:

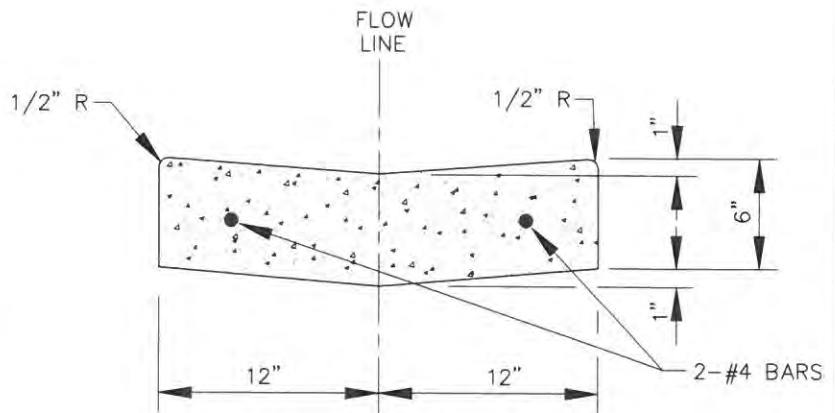
TOP OF CURB ELEVATION SHOWN IS TOP OF FULL HEIGHT CURB. SUBTRACT 0.17' FOR TOP OF ROLLED CURB.

NOTES:

1. AS DIRECTED BY THE PUBLIC WORKS DIRECTOR. MAY VARY DEPENDING UPON GRADE OF SIDEWALK AND DRIVEWAY BEYOND CURB. BACK OF CURB WILL BE 6 1/2" HIGH AT SIDEWALK RAMP.
2. 3/8" THICK MASTIC EXPANSION JOINT TO BE PLACED AT ALL POINTS OF TANGENCY.
3. FOR STATIONARY FORM CONSTRUCTION STANDARD PLATES AND HALF PLATES TO BE PLACED AT 10'-0" INTERVALS.
4. FOR SLIP-FORM CONSTRUCTION, PROVIDE FULL DEPTH JOINTS AT 10'-0" INTERVALS.
5. BACKFILL BEHIND CURB SHALL EXTEND FROM TOP OF CURB BACK TO A POINT AS DIRECTED BY THE THE PUBLIC WORKS DIRECTOR. THE TOP 4" OF BACKFILL SHALL BE OF A FINE GRADED MATERIAL SUITABLE FOR LAWNS, AND BE DAMPENED AND MECHANICALLY COMPACTED TO OBTAIN A REASONABLE LEVEL OF COMPACTION.

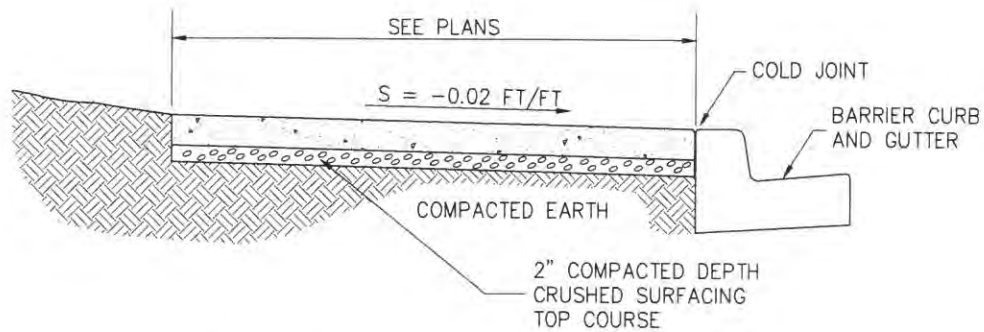
NOTES:

- ONLY THE LATEST DETAIL, AS APPROVED BY THE DIRECTOR OF PUBLIC WORKS, SHALL BE USED.

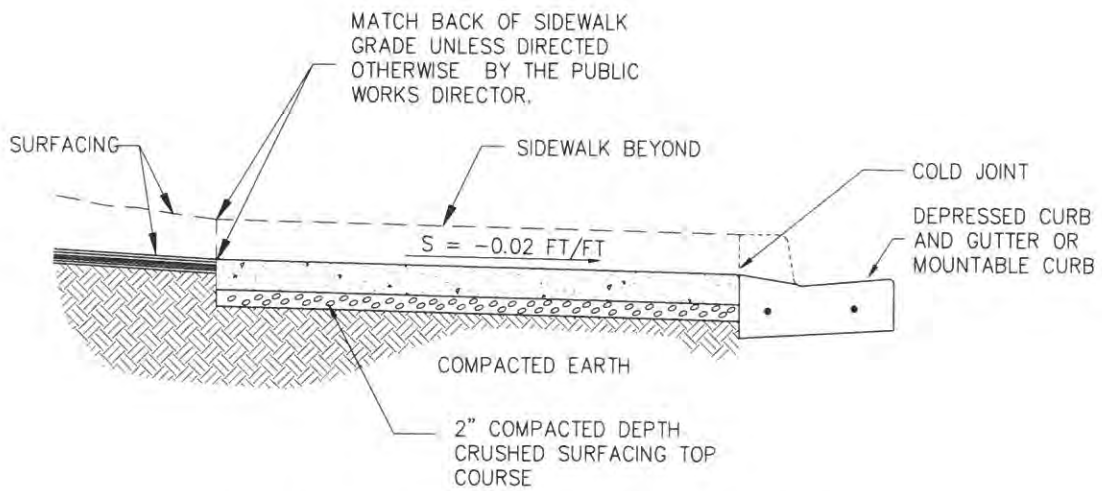


VALLEY GUTTER

ORIG.	11/15		
Revision	Date	Description	Appr



4" THICK SIDEWALK SECTION



6" THICK SIDEWALK SECTION

NOTE:

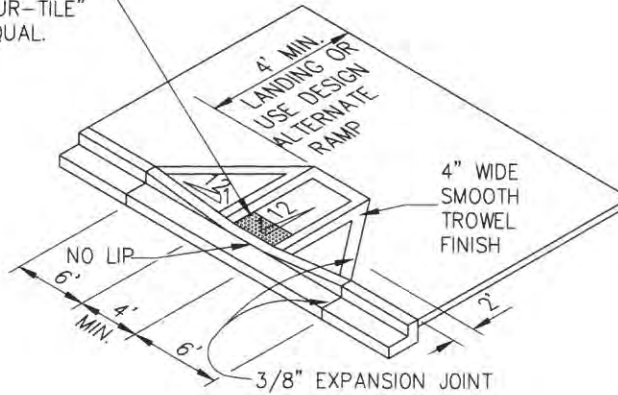
6" THICK SIDEWALK SHALL BE CONSTRUCTED AT ALL DRIVEWAY ENTRANCES INCLUDING WINGS/RAMPS UP TO FULL HEIGHT CURB, AND SHALL BE USED ADJACENT TO ALL MOUNTABLE CURBS.

NOTES:

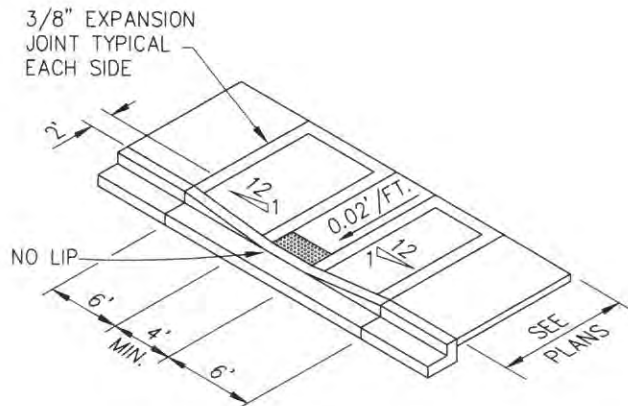
- ONLY THE LATEST DETAIL, AS APPROVED BY THE DIRECTOR OF PUBLIC WORKS, SHALL BE USED.

REV.	06/18	UPDATED NOTE	
ORIG.	10/06		
Revision	Date	Description	Appr

CAST-IN-PLACE 24" DEEP TRUNCATED DOME DETECTABLE WARNING PATTERN, "ARMOUR-TILE" OR APPROVED EQUAL.



STANDARD



ALTERNATE

SIDEWALK RAMP DETAIL

NOT TO SCALE

NOTES:

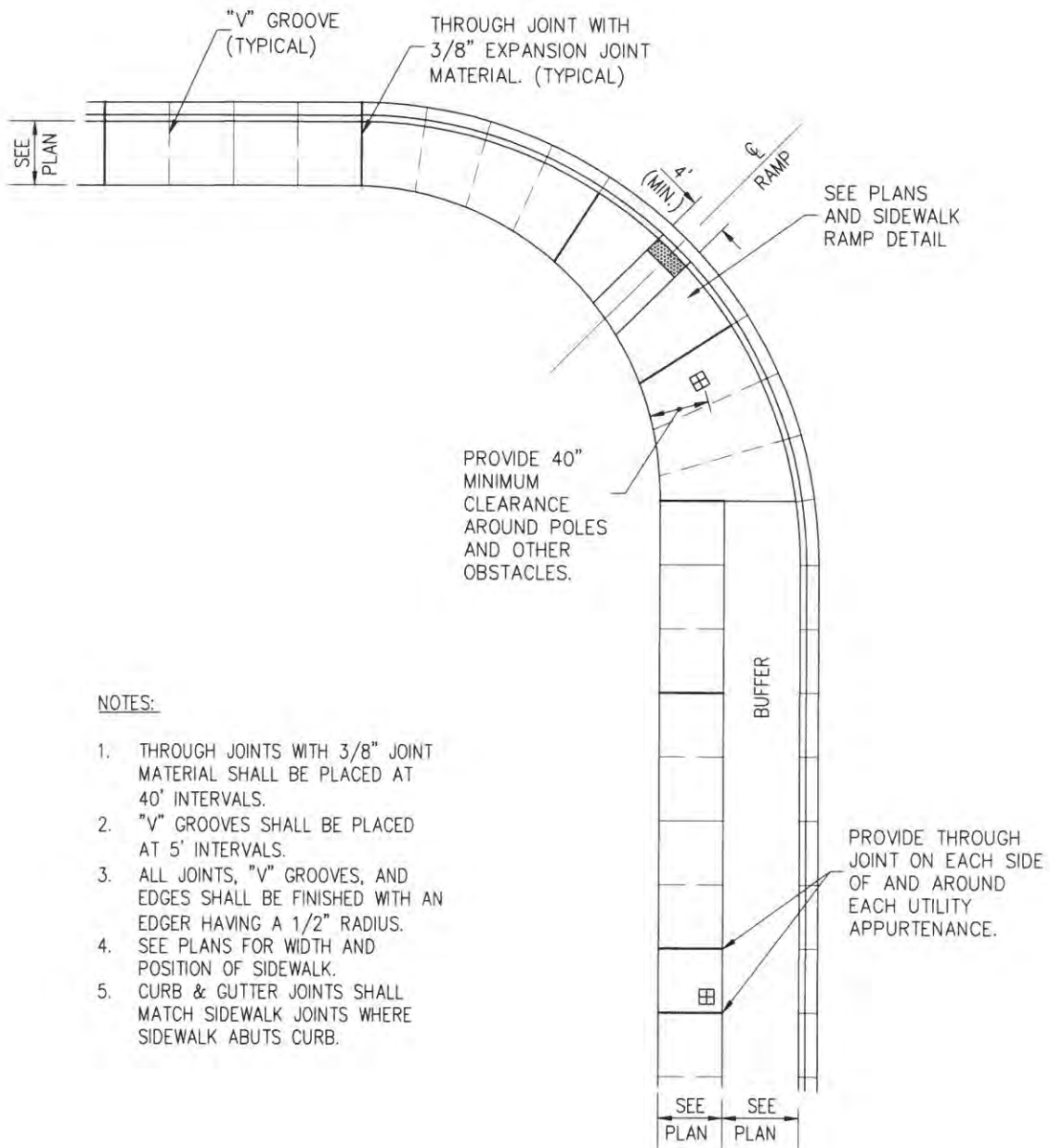
- SIDEWALK RAMP WILL NOT BE POURED INTEGRAL WITH SIDEWALK OR CURB AND GUTTER AND SHALL BE ISOLATED BY EXPANSION JOINT MATERIAL ON ALL SIDES EXCEPT ADJACENT TO THE CURB.
- ONLY THE LATEST DETAIL, AS APPROVED BY THE DIRECTOR OF PUBLIC WORKS, SHALL BE USED.

REV.	01/12	UPDATED NOTES	
ORIG.	10/06		
Revision	Date	Description	Appr

CITY OF SELAH—STANDARD DETAIL

SIDEWALK RAMP

ST-6



NOTES:

1. THROUGH JOINTS WITH 3/8" JOINT MATERIAL SHALL BE PLACED AT 40' INTERVALS.
2. "V" GROOVES SHALL BE PLACED AT 5' INTERVALS.
3. ALL JOINTS, "V" GROOVES, AND EDGES SHALL BE FINISHED WITH AN EDGER HAVING A 1/2" RADIUS.
4. SEE PLANS FOR WIDTH AND POSITION OF SIDEWALK.
5. CURB & GUTTER JOINTS SHALL MATCH SIDEWALK JOINTS WHERE SIDEWALK ABUTS CURB.

NOTES:

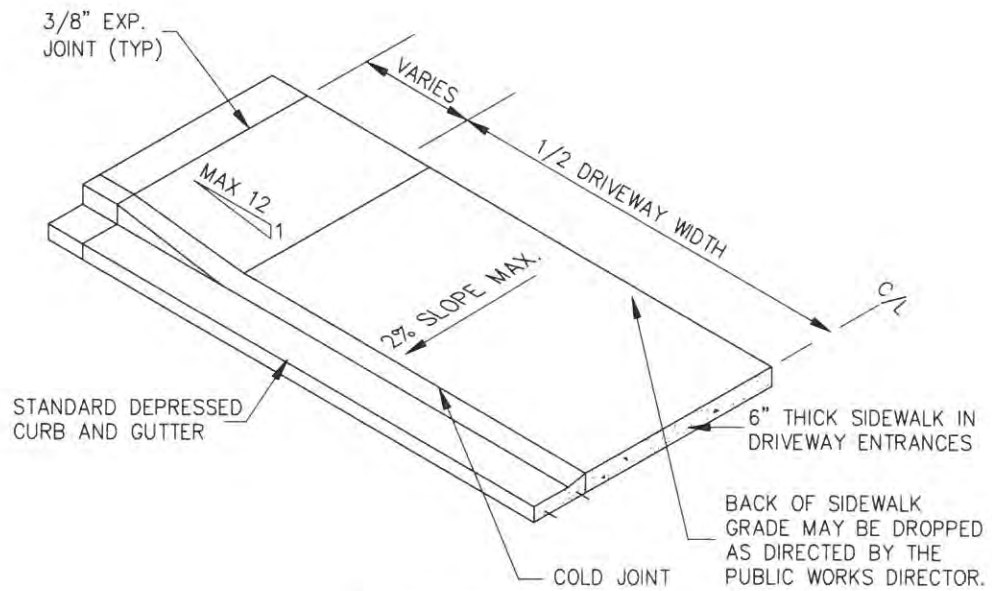
- ONLY THE LATEST DETAIL, AS APPROVED BY THE DIRECTOR OF PUBLIC WORKS, SHALL BE USED.

ORIG.	10/06		
Revision	Date	Description	Appr

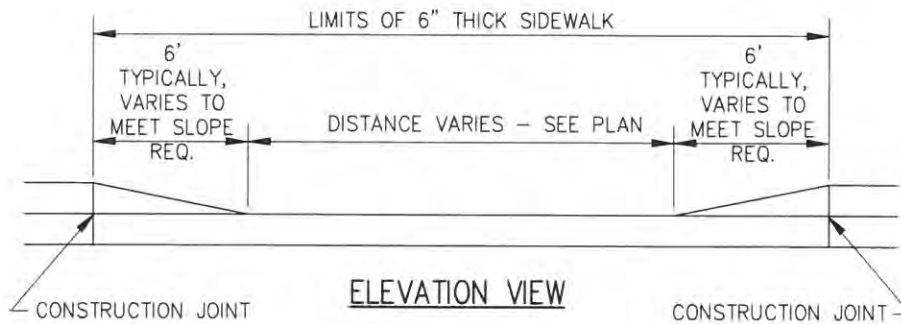
CITY OF SELAH—STANDARD DETAIL

SIDEWALK JOINTING

ST-7



ISOMETRIC VIEW



ELEVATION VIEW

NOTE:
 REINFORCEMENT NOT SHOWN FOR CLARITY. EXTEND REINFORCEMENT TO CONSTRUCTION JOINTS.

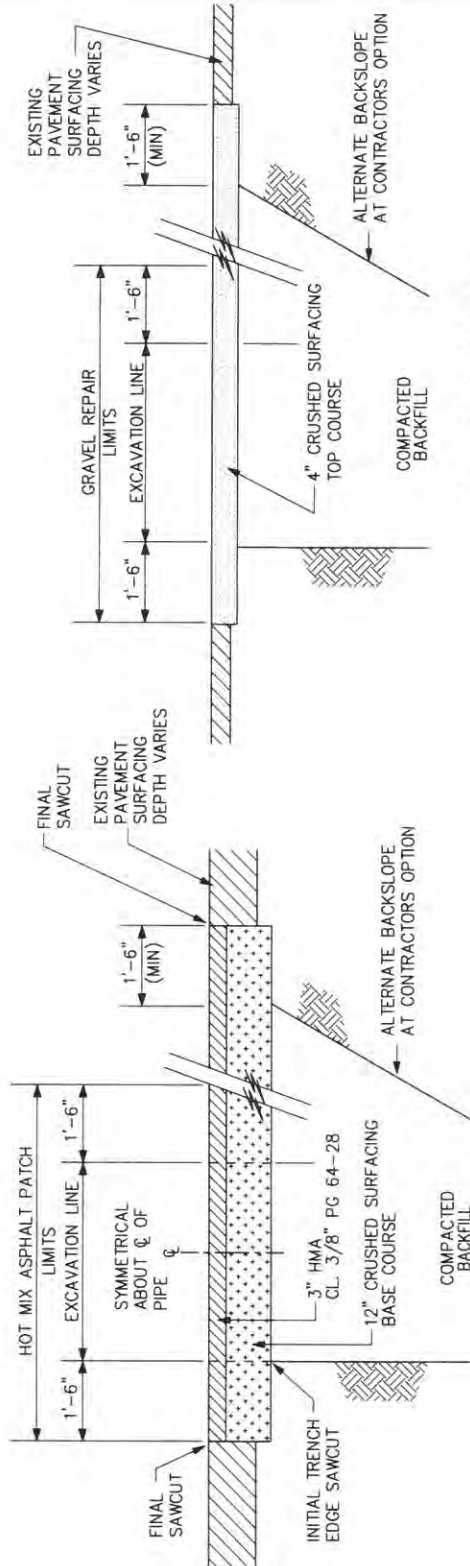
RESIDENTIAL DRIVEWAY ENTRANCE

NOT TO SCALE

NOTES:

- ONLY THE LATEST DETAIL, AS APPROVED BY THE DIRECTOR OF PUBLIC WORKS, SHALL BE USED.

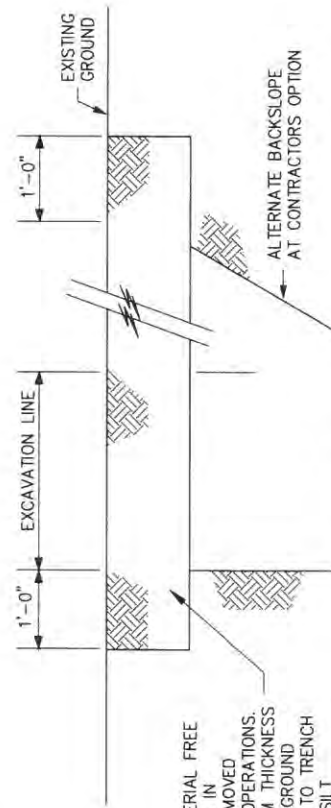
REV.	06/18	MAX SLOPES	
REV.	01/12	LIMITS OF 6" THICKNESS	
ORIG.	10/06		
Revision	Date	Description	Appr



ASPHALT PAVEMENT SURFACING

GRAVEL SURFACING

- NOTES:**
1. CONTRACTOR SHALL BE RESPONSIBLE FOR ALL TRENCH SURFACE RESTORATION BEYOND THE PAYMENT LIMITS SHOWN, INCLUDING WIDER TRENCH SECTIONS RESULTING FROM LAYING BACK TRENCH SIDES AT THE CONTRACTORS OPTION. NO MEASUREMENT OR PAYMENT WILL BE MADE FOR SURFACE REPAIR BEYOND THE PAYMENT LIMITS.
 2. NO MEASUREMENT OR PAYMENT WILL BE MADE FOR TRENCH SURFACING REPAIR IN UNSURFACED AREAS.
 3. HMA PATCHING WILL BE COMPLETED WITHIN THREE DAYS.
 4. ALL THICKNESS ARE COMPACTED DEPTH.



UNSURFACED AREAS

TRENCH SURFACING REPAIR

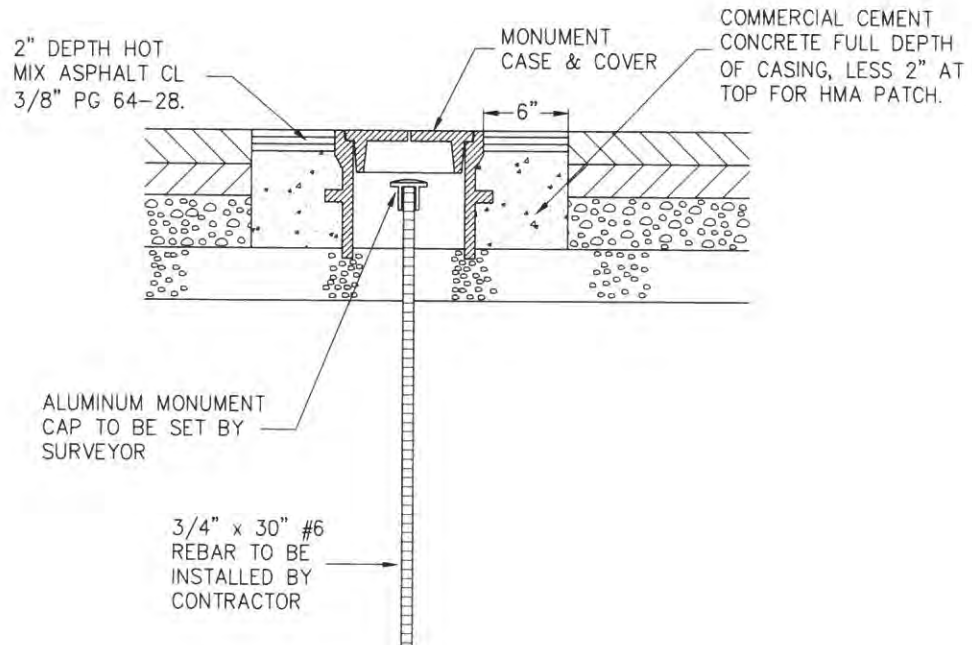
NOT TO SCALE

12" (MIN.) SILT MATERIAL FREE FROM ROCKS. STORE IN STOCKPILE WHEN REMOVED DURING TRENCHING OPERATIONS. REPLACE TO MINIMUM THICKNESS SHOWN, IF EXISTING GROUND SURFACE ADJACENT TO TRENCH DOES NOT INCLUDE SILT OVERBURDEN, THEN BACKFILL TO SURFACE WITH NATIVE MATERIAL EXCAVATED FROM TRENCH.

NOTES:

- ONLY THE LATEST DETAIL, AS APPROVED BY THE DIRECTOR OF PUBLIC WORKS, SHALL BE USED.

ORIG.	10/06		
Revision	Date	Description	Appr
	6/14	SAWCUT ADJUSTMENT	



NOTES:

1. TOP OF MONUMENT CAP SHALL BE 3" BELOW FINISH GRADE
2. MONUMENT, MONUMENT CASE & COVER TO BE PLACED AFTER FINAL LIFT OF HMA.
3. MONUMENT CASE, COVER AND RISERS SHALL BE THE REQUIREMENTS OF SECTION 9-22 AND MANUFACTURED BY OLYMPIC FOUNDRY OR EQUAL.

MONUMENT DETAIL

NOT TO SCALE

NOTES:

- ONLY THE LATEST DETAIL, AS APPROVED BY THE DIRECTOR OF PUBLIC WORKS, SHALL BE USED.

ORIG.	10/06		
Revision	Date	Description	Appr

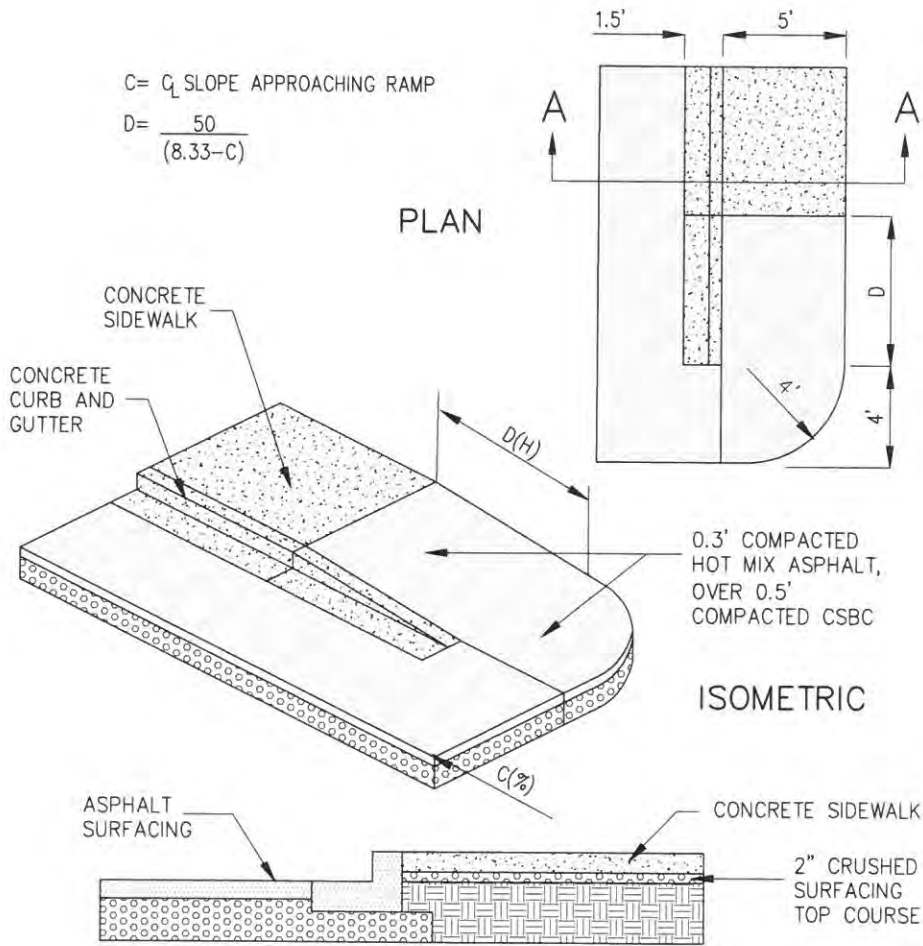
CITY OF SELAH-STANDARD DETAIL

MONUMENT

ST-10

C = G_L SLOPE APPROACHING RAMP

$$D = \frac{50}{(8.33 - C)}$$



SECTION A-A

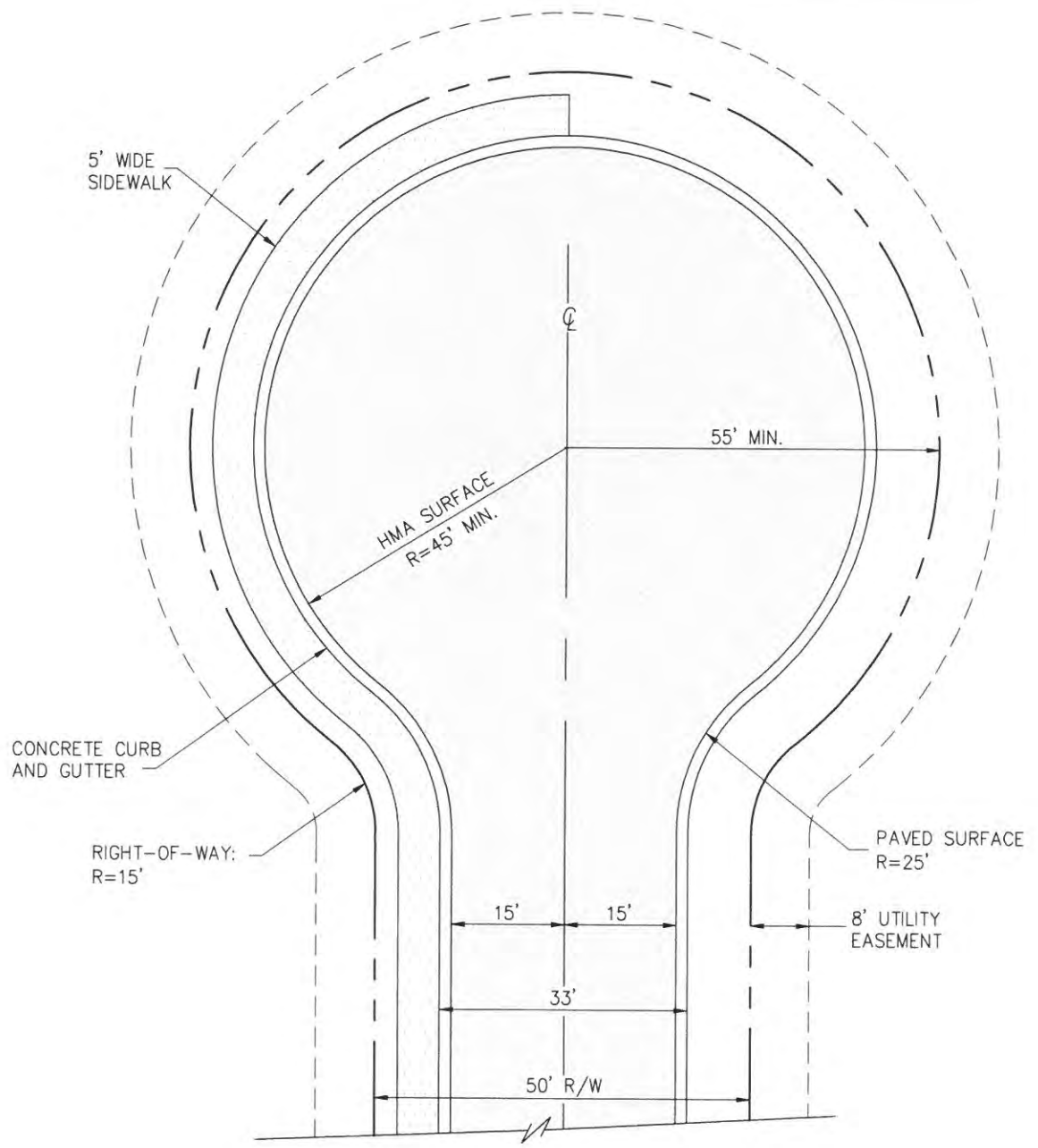
ASPHALT SIDEWALK RAMP

NOT TO SCALE

NOTES:

- ONLY THE LATEST DETAIL, AS APPROVED BY THE DIRECTOR OF PUBLIC WORKS, SHALL BE USED.

ORIG.	09/15	THICKNESS	
ORIG.	10/06		
Revision	Date	Description	Appr

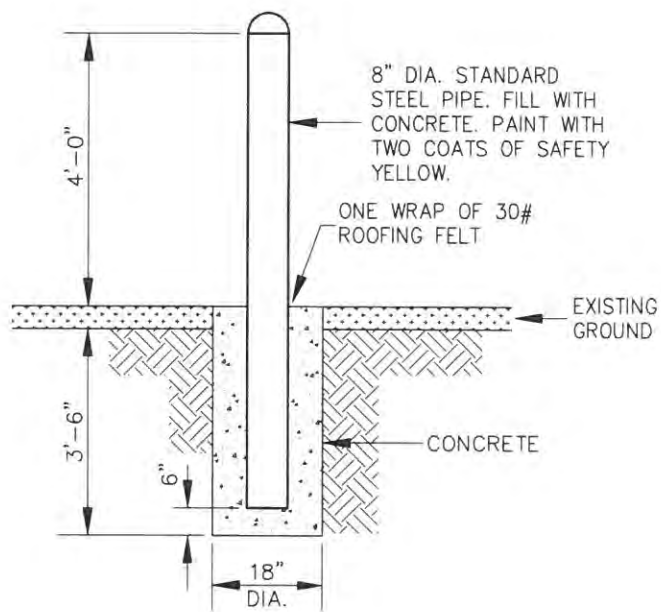


PLAN VIEW
NOT TO SCALE

NOTES:

- CUL-DE-SAC STREETS SHALL BE A MAXIMUM OF 600 FEET IN LENGTH.
- ONLY THE LATEST DETAIL, AS APPROVED BY THE DIRECTOR OF PUBLIC WORKS, SHALL BE USED.

REV.	01/12	CHANGED RADIUS TO 45'	
ORIG.	10/06		
Revision	Date	Description	Appr



NOTES:

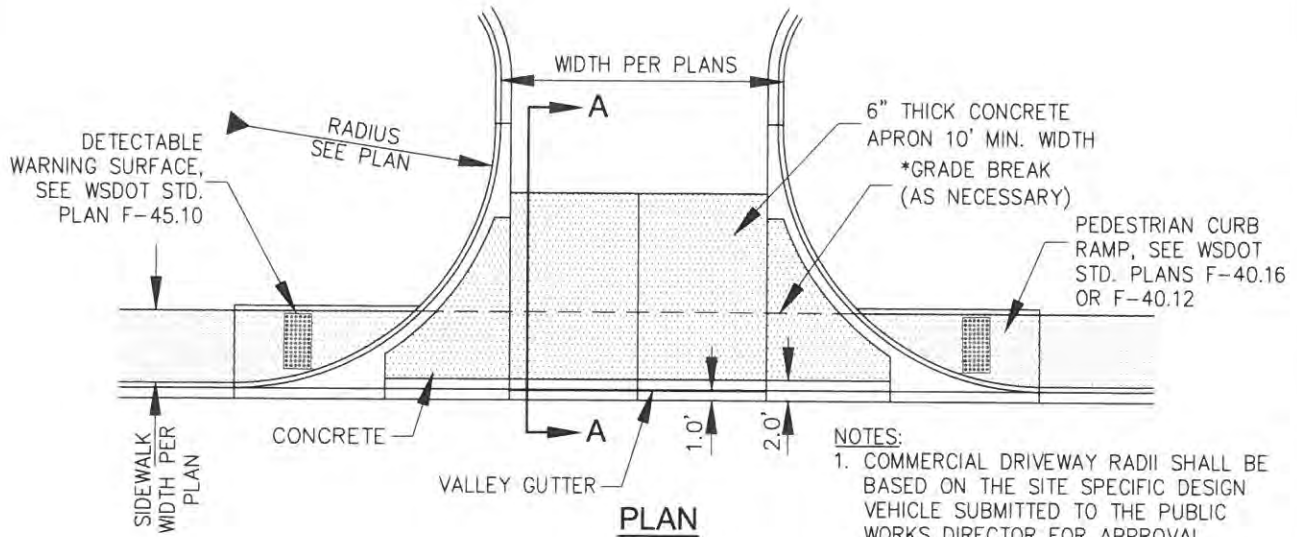
- ONLY THE LATEST DETAIL, AS APPROVED BY THE DIRECTOR OF PUBLIC WORKS, SHALL BE USED.

ORIG.	10/06		
Revision	Date	Description	Appr

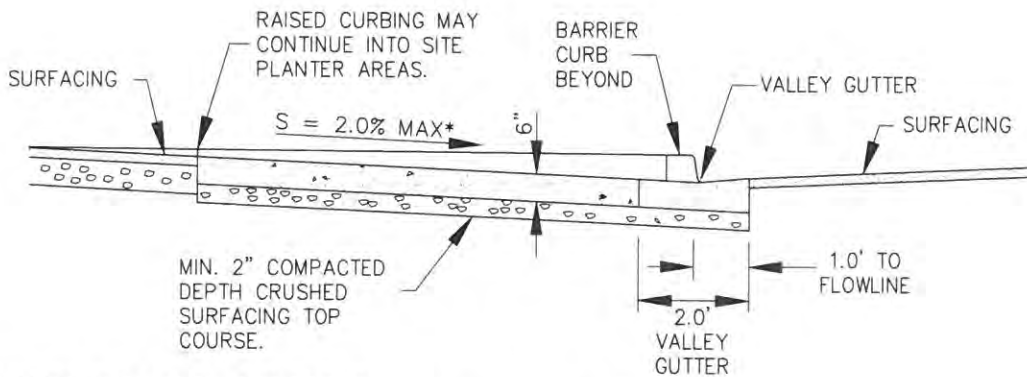
CITY OF SELAH—STANDARD DETAIL

BOLLARD

ST-13



- NOTES:**
1. COMMERCIAL DRIVEWAY RADII SHALL BE BASED ON THE SITE SPECIFIC DESIGN VEHICLE SUBMITTED TO THE PUBLIC WORKS DIRECTOR FOR APPROVAL CONSIDERATION. CURB RAMPS SHALL BE DESIGNED TO MEET ADA STANDARDS AS PRESENTED IN THE REFERENCED WSDOT STD. PLANS.
 2. CURB & GUTTER, VALLEY GUTTER, & CONCRETE APPROACH SHALL BE SEPARATED BY EXPANSION JOINT OR SEPARATE POUR.



***NOTE:**
 DRIVEWAY CROSS SLOPE SHALL NOT EXCEED 2.0%, FOR WIDTH OF SIDEWALK ENTERING DRIVEWAY. A GRADE BREAK BEYOND THE SIDEWALK WIDTH IS ACCEPTABLE FOR CROSS SLOPES GREATER THAN 2%.

SECTION A-A

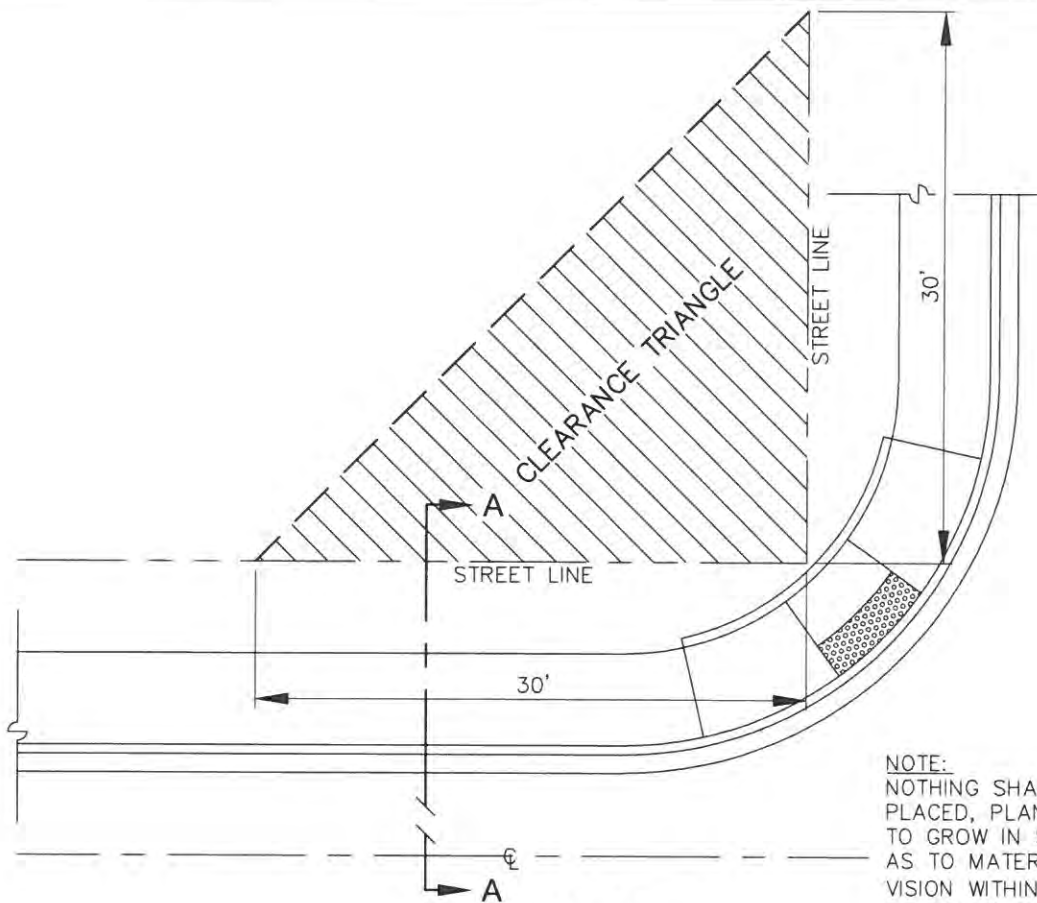
CEMENT CONCRETE COMMERCIAL DRIVEWAY

NOT TO SCALE

NOTES:

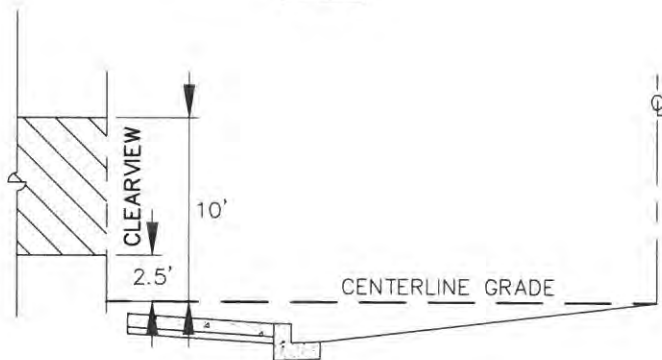
- ONLY THE LATEST DETAIL, AS APPROVED BY THE DIRECTOR OF PUBLIC WORKS, SHALL BE USED.

Revision	Date	Description	Appr
REV.	06/18	RADII AND CURB RAMPS	
ORIG.	11/15		



NOTE:
 NOTHING SHALL BE ERECTED,
 PLACED, PLANTED OR ALLOWED
 TO GROW IN SUCH A MANNER
 AS TO MATERIALLY IMPEDE
 VISION WITHIN THE "CLEARANCE
 TRIANGLE" AREA SHOWN HERE.

PLAN



SECTION A-A

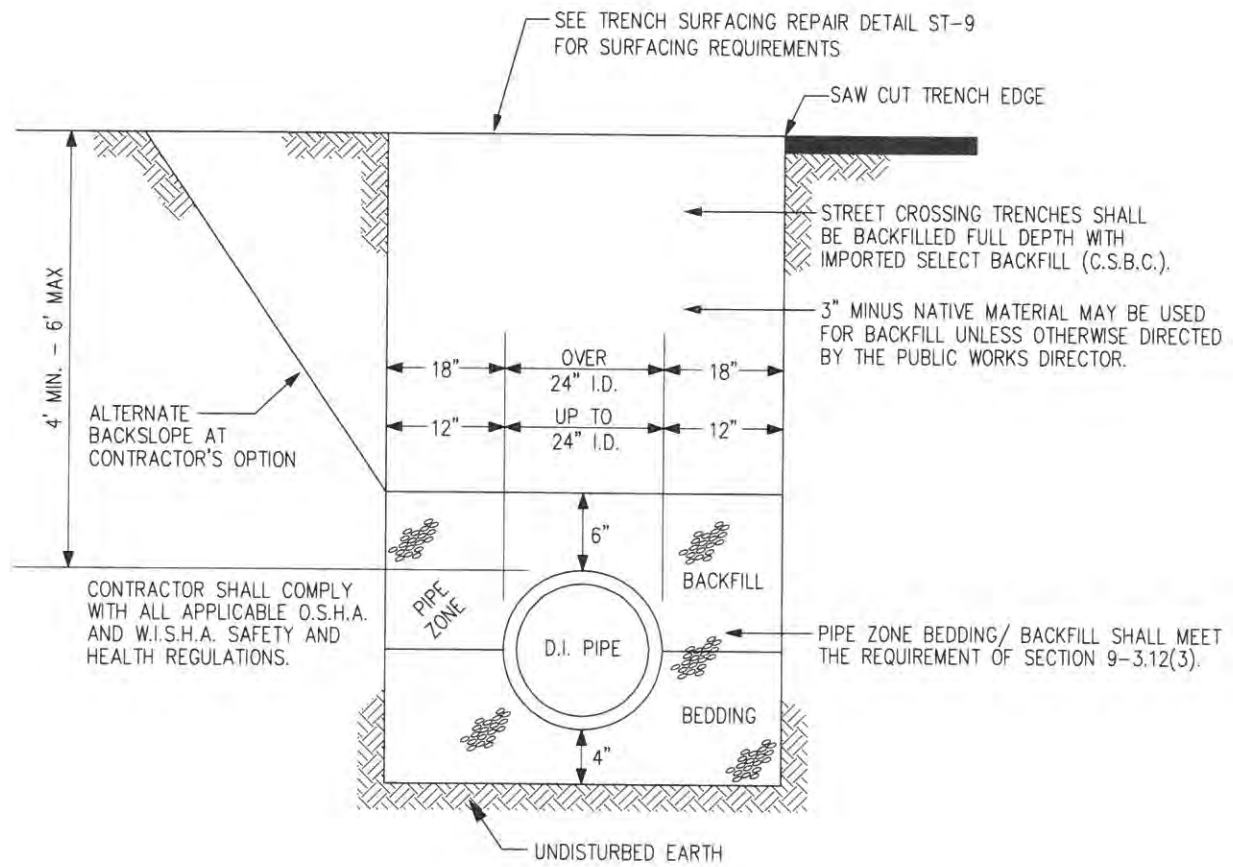
CORNER LOT VISION CLEARANCE

NOT TO SCALE

NOTES:

- ONLY THE LATEST DETAIL, AS APPROVED BY THE DIRECTOR OF PUBLIC WORKS, SHALL BE USED.

ORIG.	09/15		
Revision	Date	Description	Appr



TYPICAL WATERMAIN TRENCH

NOT TO SCALE

NOTES:

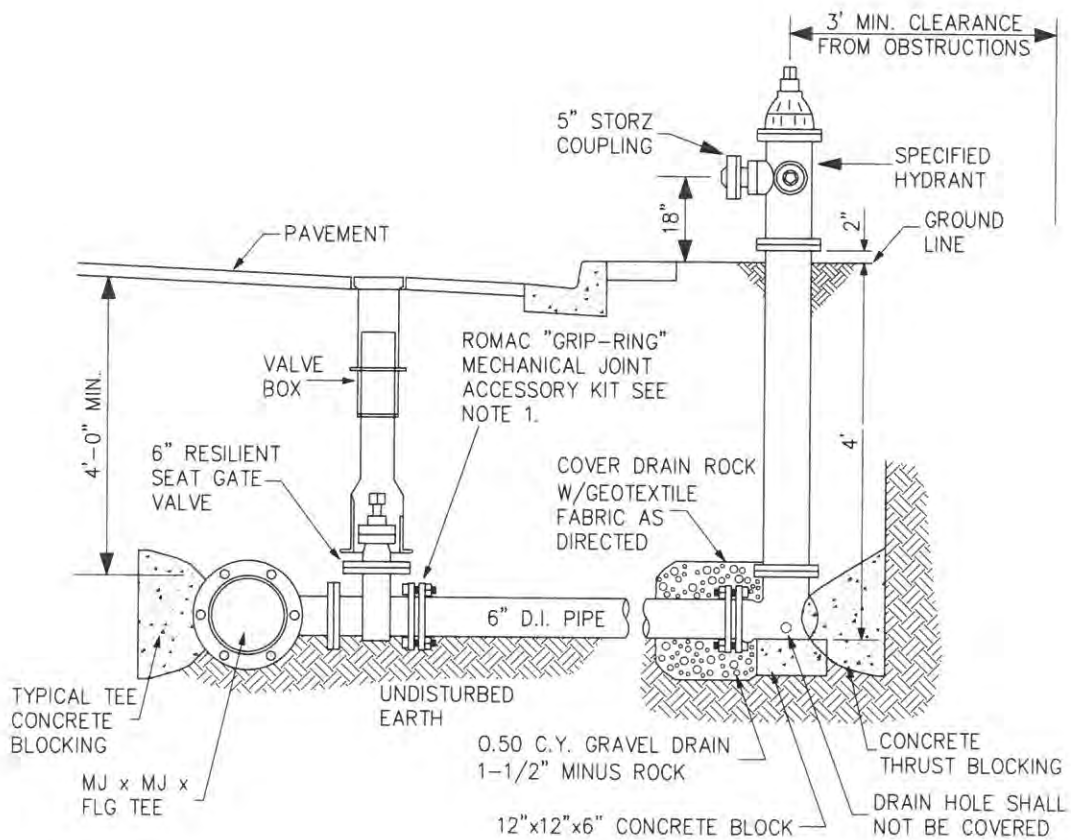
- FOR WATER SERVICES, INSTALL IMPORTED PIPE BEDDING A MINIMUM OF 3" THICK ON ALL SIDES OF PIPE.
- MECHANICAL TAMPING AND COMPACTION REQUIRED AS DIRECTED BY THE CITY. WATER SETTLING MAY ONLY BE USED OUTSIDE THE ROADWAY PRISM WHEN APPROVED BY THE CITY.
- ONLY THE LATEST DETAIL, AS APPROVED BY THE DIRECTOR OF PUBLIC WORKS, SHALL BE USED.

REV.	6/14	SAWCUT UPDATE	
REV.	01/12	DELETED PVC OPTION	
ORIG.	11/06		
Revision	Date	Description	Appr

CITY OF SELAH—STANDARD DETAIL

WATERMAIN TRENCH

W-1



TYPICAL FIRE HYDRANT ASSEMBLY

NOT TO SCALE

NOTE:

1. ROMAC "GRIP-RING" MECHANICAL JOINT ACCESSORY KITS SHALL BE USED ON ALL MECHANICAL JOINT CONNECTIONS FROM VALVE TO HYDRANT.
2. MINIMUM HYDRANT DEPTH IS 4 FEET.
3. SHACKLE RODS MAY BE USED IN PLACE OF "GRIP-RINGS" OR A THRUST BLOCK WHEN APPROVED BY THE PUBLIC WORKS DIRECTOR.

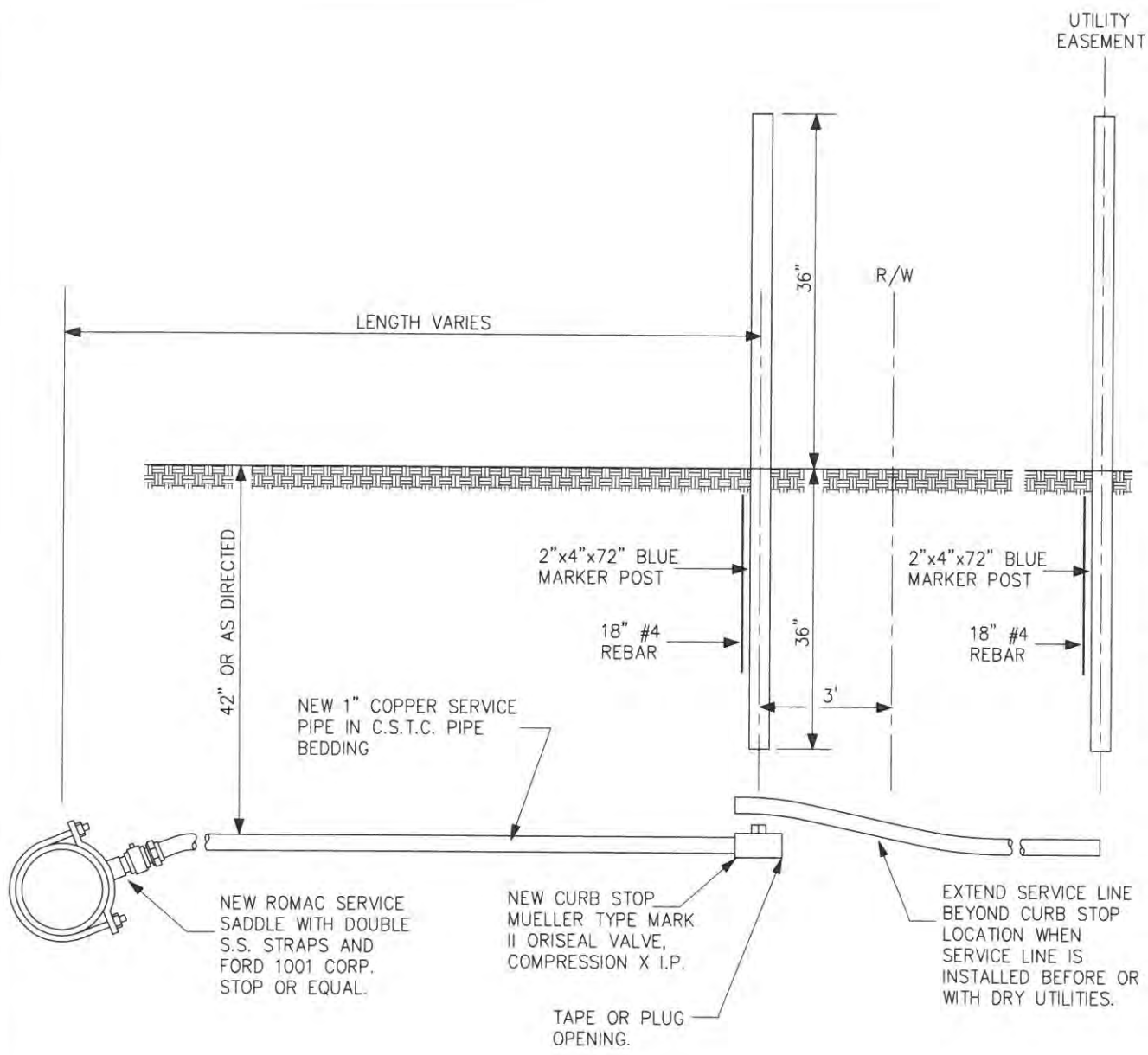
- ONLY THE LATEST DETAIL, AS APPROVED BY THE DIRECTOR OF PUBLIC WORKS, SHALL BE USED.

REV.	01/12	ADDED SHACKLE ROD NOTE	
ORIG.	10/06		
Revision	Date	Description	Appr

CITY OF SELAH—STANDARD DETAIL

FIRE HYDRANT ASSEMBLY

W-2



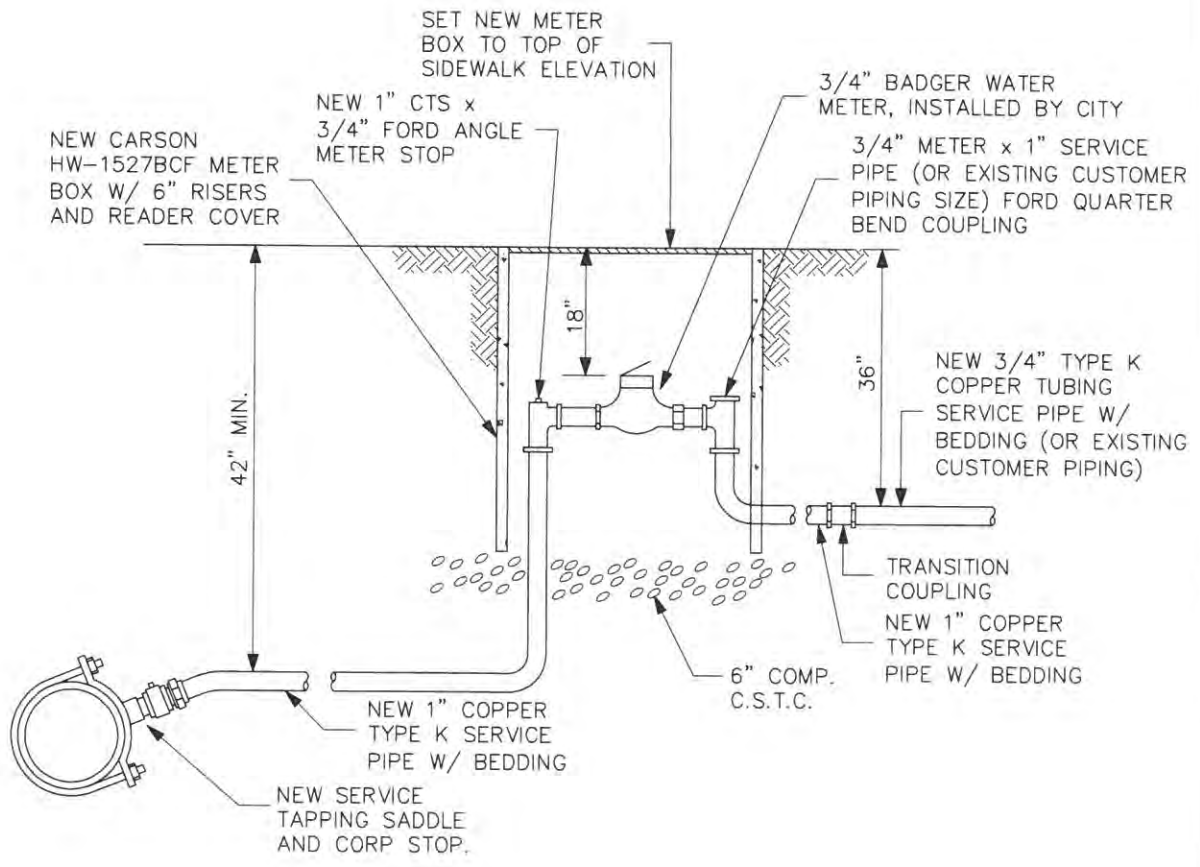
WATER SERVICE

NOT TO SCALE

NOTES:

- ONLY THE LATEST DETAIL, AS APPROVED BY THE DIRECTOR OF PUBLIC WORKS, SHALL BE USED.
- WATER SERVICE SHALL BE INSTALLED W/ A MINIMUM OF 3" THICKNESS C.S.T.C. PIPE BEDDING ON ALL SIDES

REV.	01/12	ADDED SERVICE LINE OPTION	
ORIG.	10/06		
Revision	Date	Description	Appr



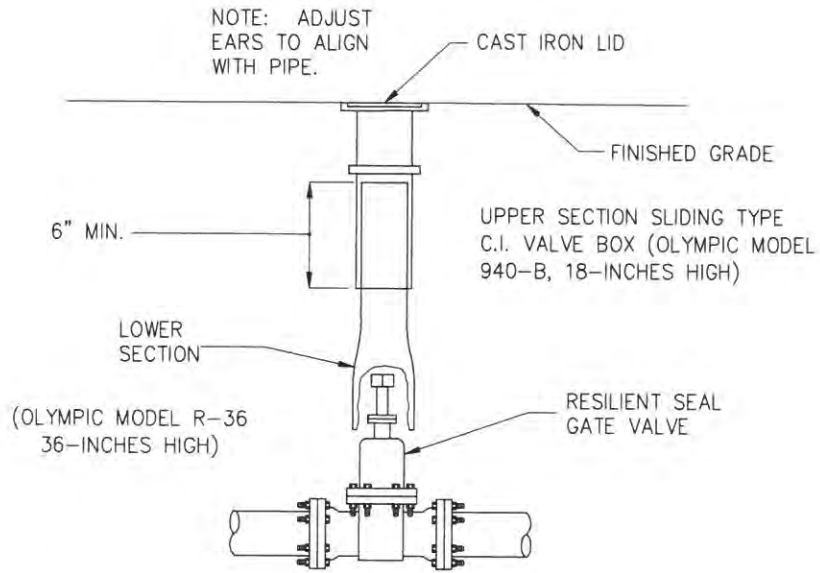
WATER METER BOX AND SERVICE REPLACEMENT

NOT TO SCALE

NOTES:

- ONLY THE LATEST DETAIL, AS APPROVED BY THE DIRECTOR OF PUBLIC WORKS, SHALL BE USED.

REV.	11/15	FITTINGS	
ORIG.	10/06		
Revision	Date	Description	Appr



NOTE: ADJUST EARS TO ALIGN WITH PIPE.

CAST IRON LID

FINISHED GRADE

6" MIN.

UPPER SECTION SLIDING TYPE C.I. VALVE BOX (OLYMPIC MODEL 940-B, 18-INCHES HIGH)

LOWER SECTION

(OLYMPIC MODEL R-36 36-INCHES HIGH)

RESILIENT SEAL GATE VALVE

VALVE SIZE AND ENDS AS SPECIFIED OR INDICATED ON PLANS. INSTALLATION IS SIMILAR FOR BUTTERFLY VALVE.

NOTE: PROVIDE EXTENSION PIECE WHERE REQUIRED FOR VALVE BOX. (OLYMPIC MODEL 044, 12-INCHES HIGH)

WATER VALVE BOX

NOT TO SCALE

NOTES:

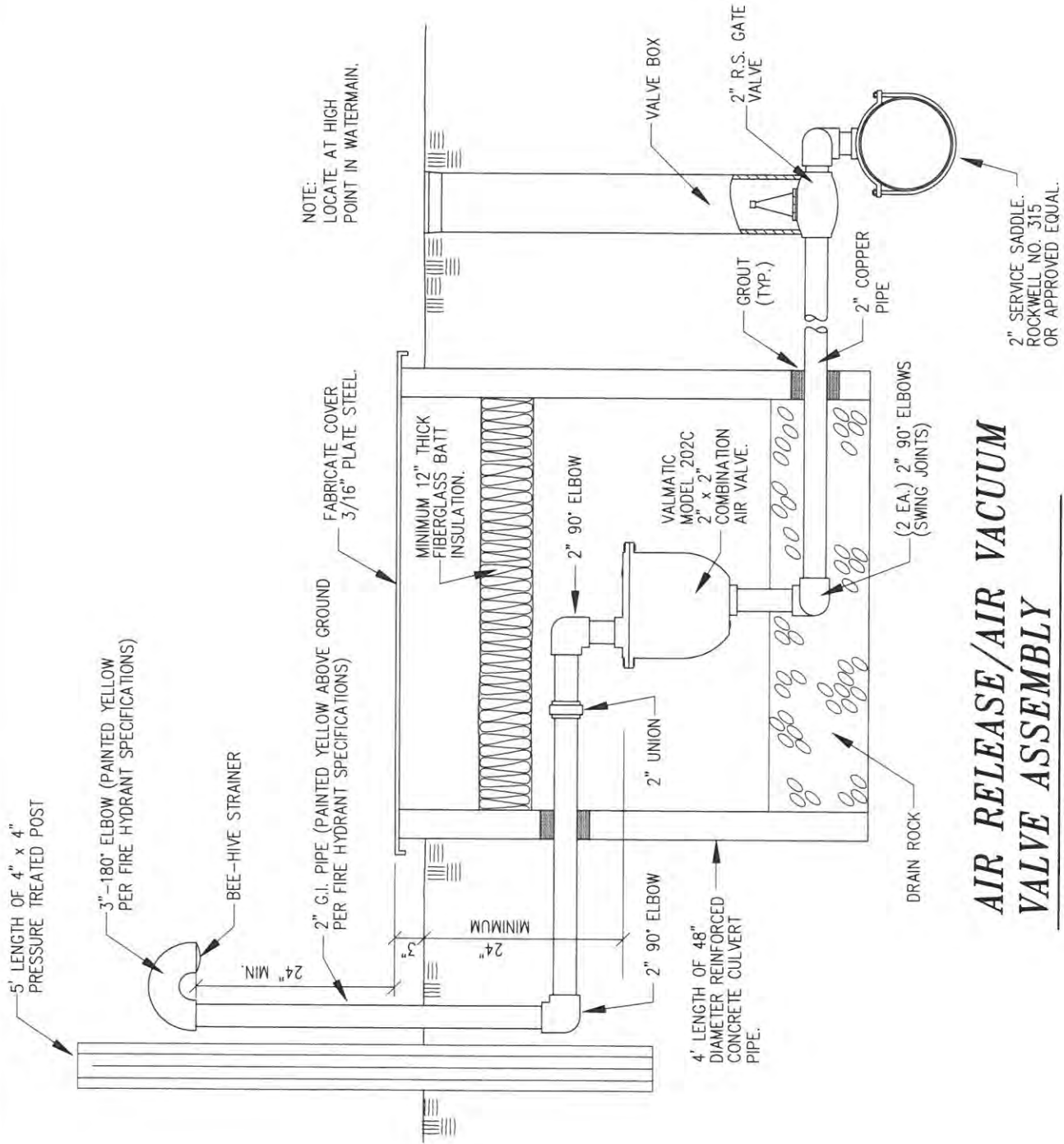
- ONLY THE LATEST DETAIL, AS APPROVED BY THE DIRECTOR OF PUBLIC WORKS, SHALL BE USED.

ORIG.	10/06		
Revision	Date	Description	Appr

CITY OF SELAH—STANDARD DETAIL

WATER VALVE BOX

W-5



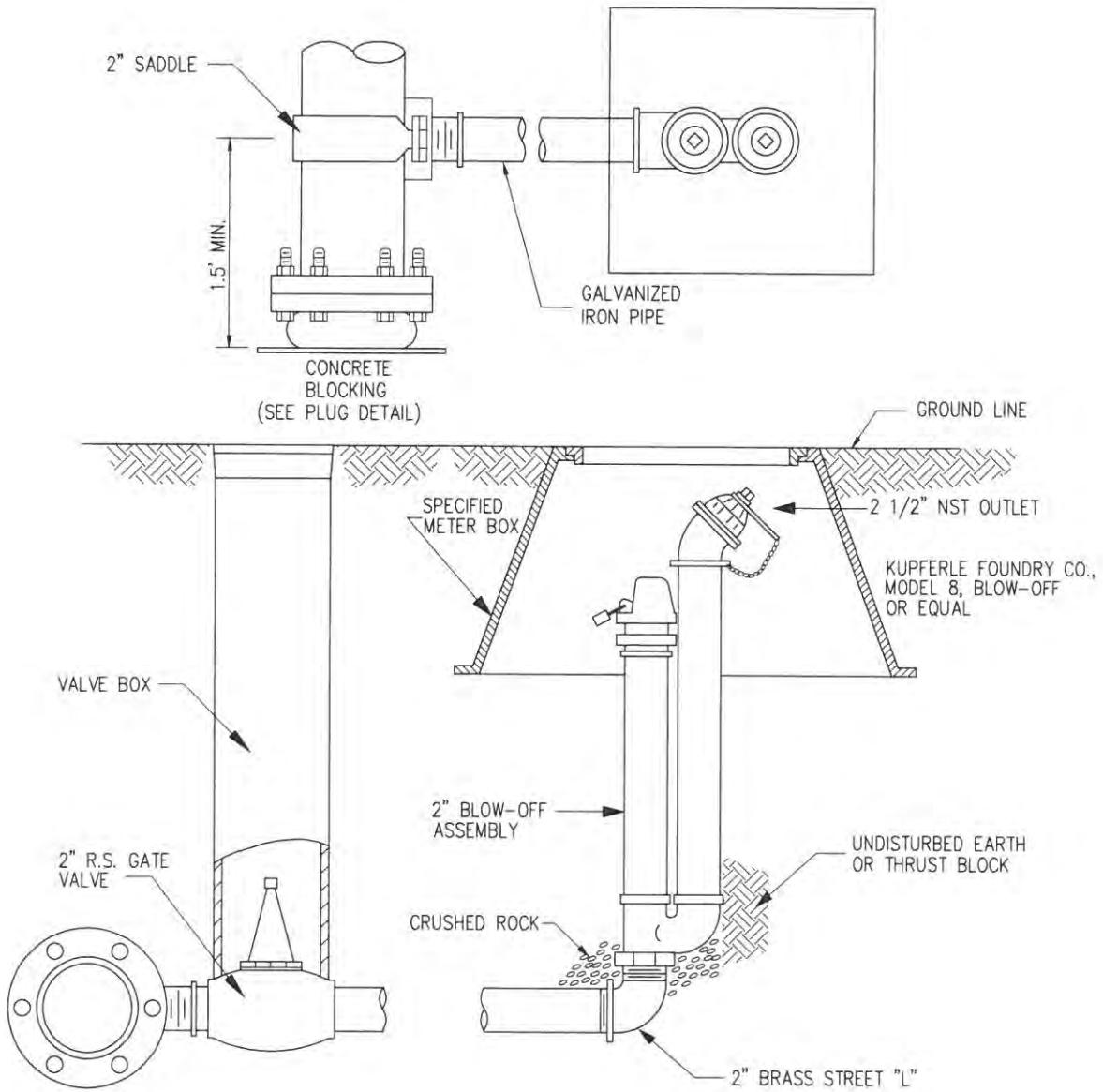
AIR RELEASE/AIR VACUUM VALVE ASSEMBLY

NOT TO SCALE

NOTES:

- ONLY THE LATEST DETAIL, AS APPROVED BY THE DIRECTOR OF PUBLIC WORKS, SHALL BE USED.

Revision	Date	Description	Appr
REV.	06/18	2" GATE VALVE	
REV.	01/12	SIDE OUTLET, WOOD POST	
ORIG.	10/06		



BLOW-OFF ASSEMBLY

NOT TO SCALE

NOTES:

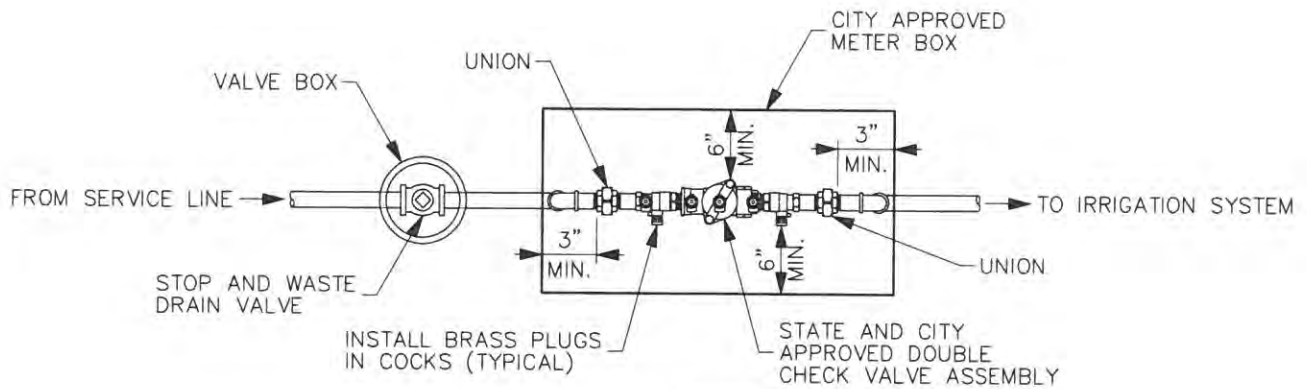
- ONLY THE LATEST DETAIL, AS APPROVED BY THE DIRECTOR OF PUBLIC WORKS, SHALL BE USED.

Revision	Date	Description	Appr
REV.	06/18	2" GATE VALVE	
ORIG.	10/06		

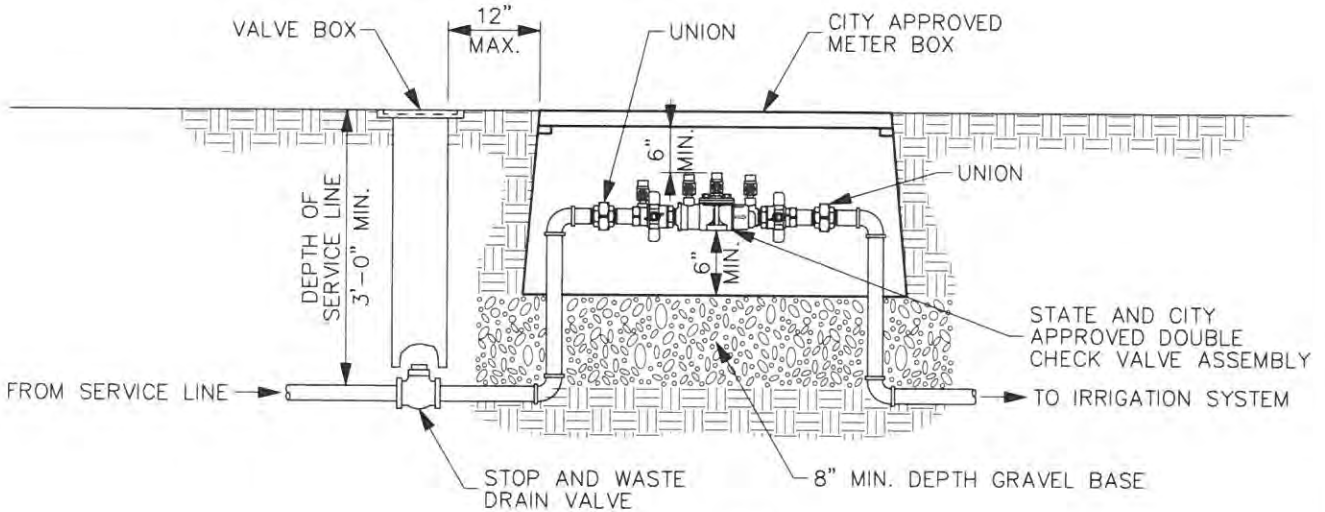
CITY OF SELAH—STANDARD DETAIL

BLOW-OFF ASSEMBLY

W-7



PLAN



ELEVATION

NOTES:

1. DOUBLE CHECK VALVE ASSEMBLY SHALL MEET REQUIREMENTS OF THE AWWA "ACCEPTED PROCEDURE AND PRACTICE IN CROSS-CONNECTION CONTROL" MANUAL.
2. DEVICES MUST BE ON STATE DEPT. OF SOCIAL AND HEALTH SERVICES LIST OF "APPROVED CROSS CONNECTION CONTROL DEVICES".
3. METER BOX SIZE SHOULD BE SIZED TO PROVIDE THE MINIMUM CLEARANCES SHOWN IN THE DETAIL.

TYPICAL IRRIGATION BACKFLOW PREVENTER (3/4" - 2")

NOT TO SCALE

NOTES:

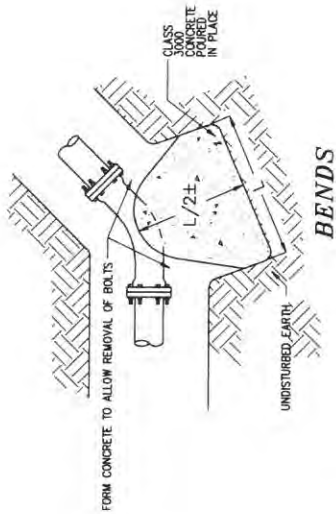
- ONLY THE LATEST DETAIL, AS APPROVED BY THE CITY DIRECTOR OF PUBLIC WORKS, SHALL BE USED.

ORIG.	12/07		
Revision	Date	Description	Appr

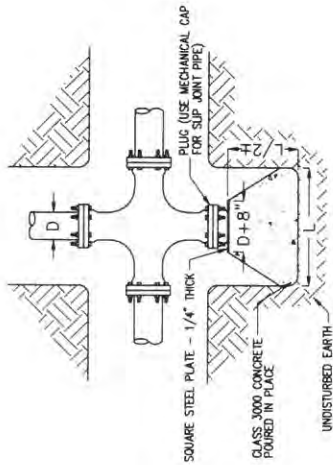
CITY OF SELAH-STANDARD DETAIL

IRRIGATION BACKFLOW PREVENTER

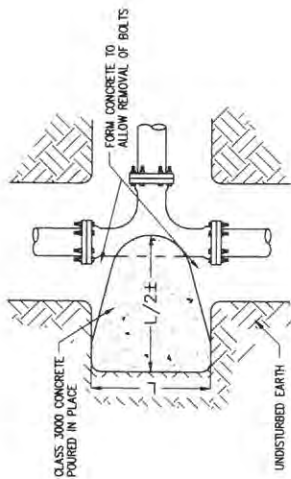
W-8



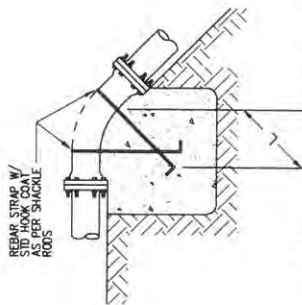
BENDS



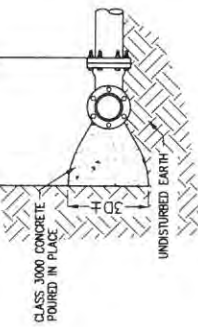
PLUGS AND CAPS



TEES



VERTICAL OVERBEND



SIDE VIEW

THIS VIEW TYPICAL OF ALL BLOCKING

NOTES:

1. D IS APPROXIMATE PIPE DIAMETER. THE ABOVE END AREAS ARE BASED ON AN ALLOWABLE SOIL BEARING PRESSURE OF 1500 PSF AND 250 PSI TEST PRESSURE.
2. DIMENSIONS LISTED DENOTE MINIMUM STANDARDS FOR SOIL AND TEST PRESSURES SHOWN. SHOULD TEST PRESSURE AND/OR SOIL CONDITIONS VARY, THE CONTRACTOR SHALL CONTACT THE ENGINEER FOR SPECIAL THRUST BLOCK DESIGN.
3. ALL FITTINGS AND/OR PIPE MAKING DIRECT CONTACT WITH CONCRETE SHALL BE WRAPPED WITH 4 MIL POLYETHYLENE SHEETING PRIOR TO PLACEMENT OF CONCRETE.

PIPE SIZE (D)	MINIMUM END AREAS				
	TEES & PLUGS	90° BENDS	45° BENDS	11 1/4" AND 22 1/2° BENDS	L
6"	5.1 SQ FT	7.2 SQ FT	3.9 SQ FT	2.0 SQ FT	2.0 FT
8"	8.8 SQ FT	12.4 SQ FT	6.7 SQ FT	3.4 SQ FT	2.0 FT
10"	14.3 SQ FT	20.2 SQ FT	11.0 SQ FT	5.6 SQ FT	2.0 FT
12"	20.4 SQ FT	28.9 SQ FT	15.7 SQ FT	7.9 SQ FT	2.5 FT
14"	27.7 SQ FT	39.2 SQ FT	21.2 SQ FT	10.7 SQ FT	3.0 FT
16"	35.8 SQ FT	51.2 SQ FT	27.5 SQ FT	13.9 SQ FT	4.0 FT

PIPE SIZE (D)	VERTICAL OVERBEND				
	22 1/2° BEND	45° BEND	REBAR SIZE	L	
6"	20 CU FT	39 CU FT	#5	2.0 FT	
8"	34 CU FT	67 CU FT	#5	2.0 FT	
10"	56 CU FT	110 CU FT	#5	2.0 FT	
12"	79 CU FT	157 CU FT	#6	2.5 FT	
14"	107 CU FT	212 CU FT	#7	3.0 FT	
16"	139 CU FT	275 CU FT	#9	4.0 FT	

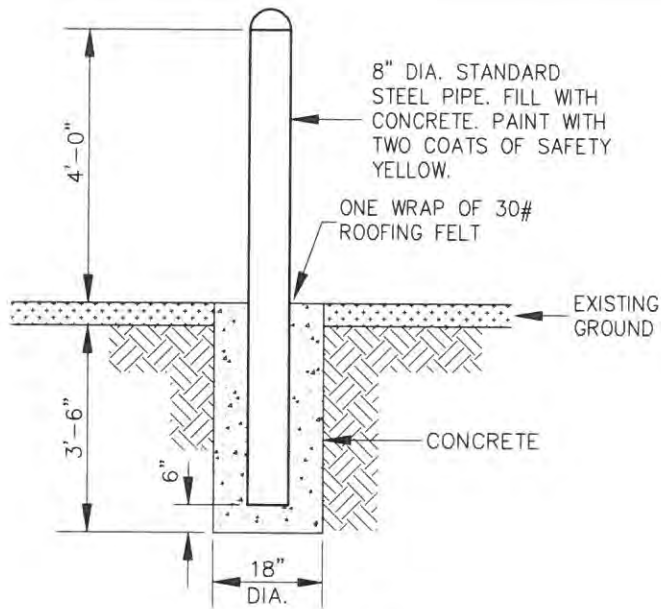
TYPICAL THRUST BLOCKING

NOT TO SCALE

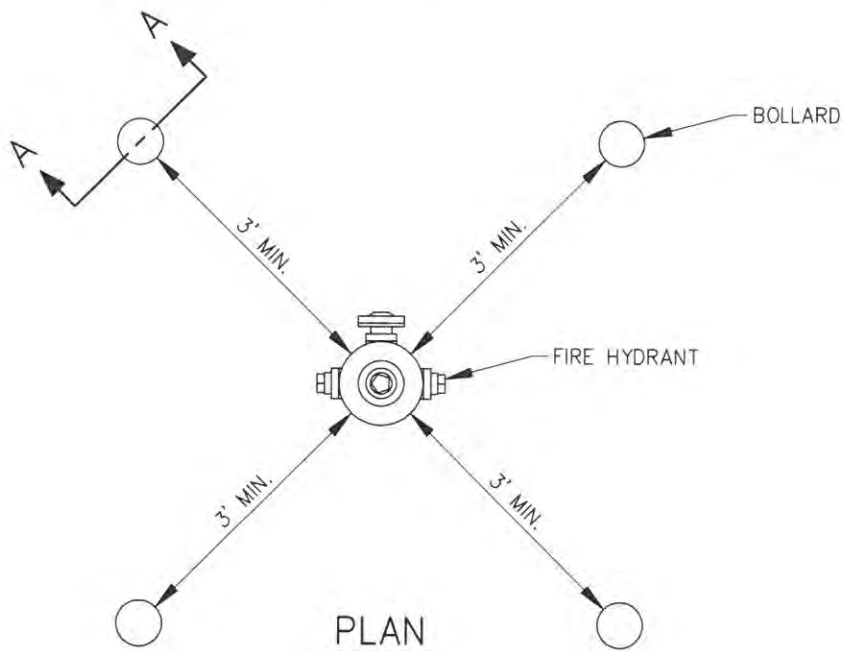
NOTES:

- ONLY THE LATEST DETAIL, AS APPROVED BY THE DIRECTOR OF PUBLIC WORKS, SHALL BE USED.

ORIG.	10/06		
Revision	Date	Description	Apr



SECTION A-A



PLAN

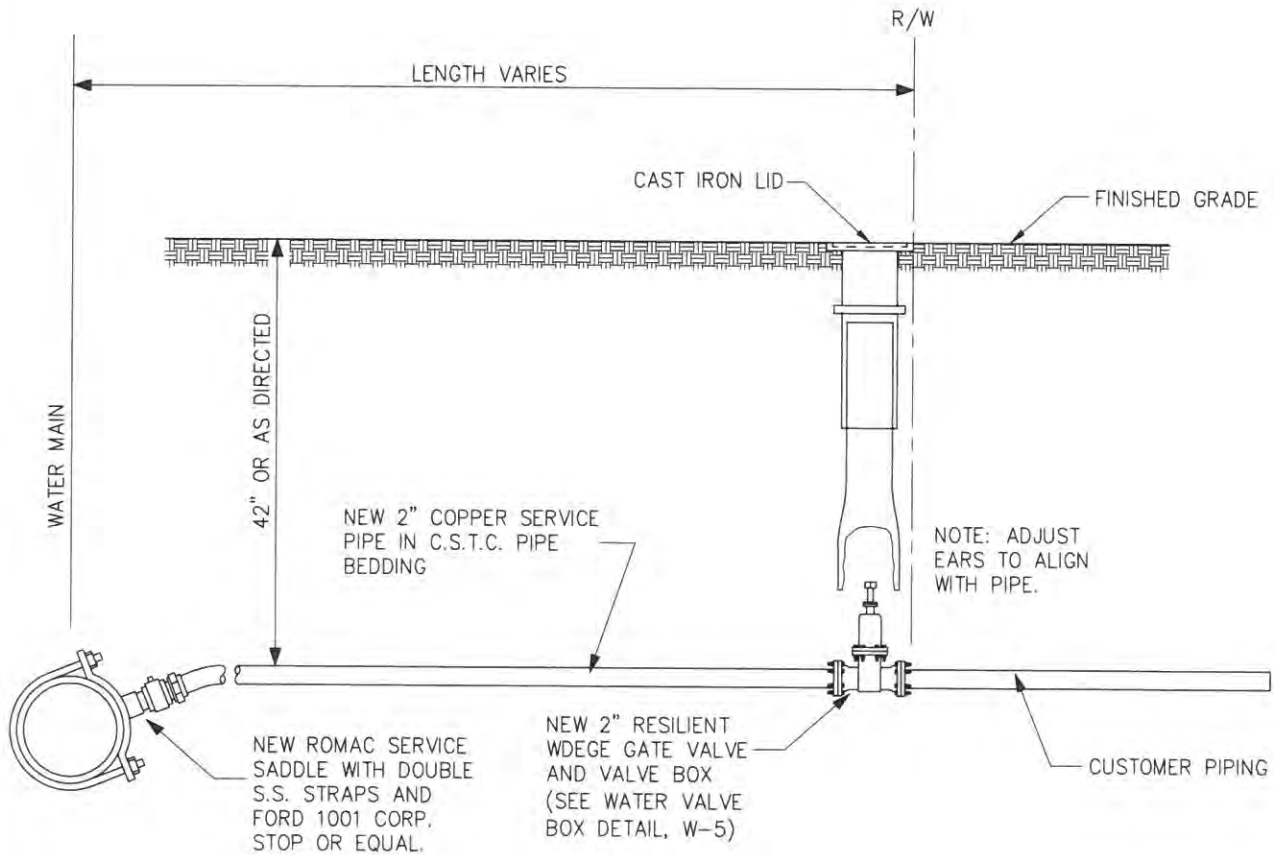
FIRE HYDRANT GUARD POSTS

NOT TO SCALE

NOTES:

- ONLY THE LATEST DETAIL, AS APPROVED BY THE DIRECTOR OF PUBLIC WORKS, SHALL BE USED.

REV.	1/12	UPDATED BOLLARD DETAIL	
ORIG.	10/06		
Revision	Date	Description	Appr



FIRE SERVICE

NOT TO SCALE

NOTES:

- ONLY THE LATEST DETAIL, AS APPROVED BY THE DIRECTOR OF PUBLIC WORKS, SHALL BE USED.
- FIRE SERVICE SHALL BE INSTALLED W/ A MINIMUM OF 3" THICKNESS C.S.T.C. PIPE BEDDING ON ALL SIDES

REV.			
ORIG.	09/14		
Revision	Date	Description	Appr

CITY OF SELAH—STANDARD DETAIL

FIRE SERVICE

W-11



CITY OF SELAH
CITY COUNCIL
AGENDA ITEM SUMMARY



Council Meeting

Informational Item

7/9/2019

Q – 4a

Title: Planning Commission Minutes from May 7, 2019

From: Brandy Tucker – Planning & Community Development, Building Specialist

Action Requested: Informational - No action needed

Staff Recommendation:

N/A

Board/Commission Recommendation: Not Applicable

Fiscal Impact: N/A

Funding Source: N/A

Background / Findings & Facts: N/A

City of Selah
Planning Commission Minutes
Of
May 7, 2019

A. Call to Order

Chairman Smith calls the meeting to order at 5:30 pm.

B. Roll Call

Members Present: Chairman Smith: Commissioners: Huber, Goodall, Moorehead and Torkelson

Members Absent:

Staff Present: Jeff Peters, City Planner, Brandy Tucker, Minutes Secretary

Guest:

C. Agenda Changes : None

D. Communications

1. Oral - None

2. Written - None

E. Approval of Minutes

1. ***Approval of minutes from April 16, 2019***

Commissioner Huber motions to approve the minutes.

Commissioner Torkelson seconds.

Minutes are approved with a voice vote of 5-0.

F. Public Hearings

1. Old Business - Open the Public Hearing for Amendments to Selah Municipal Code Title 10

Zoning pertaining to regulations of signage.

Chairman Smith opens the Public Hearing and asks Jeff to read the staff report.

Jeff Peters states that the purpose of this hearing is for consideration and public hearing of amendments to Selah Municipal Code (SMC) Title 10 Zoning pertaining to regulation of signage in the City of Selah providing for the establishment and exemption of City sponsored welcome and wayfinding signage

from the provisions of SMC 10.38 Sign Regulations.

Mr. Peters reads verbatim from the Facts & Findings report (see attached exhibit 1a).

Mr. Peters states that base upon the conclusions of the findings report the staff recommends approval subject to conditions. Mr. Peters read the conditions on pages 5 and 6 of the staff report verbatim.

Chairman Smith asks if there are any questions. No questions are asked. Chairman Smith asks for public comment. No public comments are made.

Chairman Smith asks for a vote.

Commissioner Goodall motions to approve.

Commissioner Moorehead seconds.

Motion to approve subject to conditions, passes with a voice vote of 5-0.

2. New Business - None

G. General Business

1. Old Business - None

2. New Business - None

H. Reports/Announcements

1. Chairman -

2. Commissioners -

3. Staff - Planning/Building Department Updates

Chairman Smith asks if there are any staff updates or other reports.

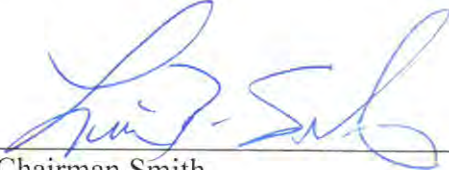
Mr. Peters notes the building department updates.

I. Adjournment

Commissioner Torkelson motions to adjourn.

Commissioner Huber seconds.

Chairman Smith adjourns the meeting at 5:53 p.m. with a voice vote of 5-0.


Chairman Smith

SELAH PLANNING COMMISSION
RECOMMENDATION TO THE SELAH CITY COUNCIL
FOR
AMENDEMENTS TO
SELAH MUNICIPAL CODE TITLE 10.38 SIGN REGULATIONS

WHEREAS

The City of Selah, hereafter referred to as the "City" pursuant to RCW 36.70A.040 is required to plan under the provisions of the Growth Management Act; and

WHEREAS

Pursuant to RCW 36.70A.130(1) the City is required to take legislative action to review and revise its development regulations in accordance with the Growth Management Act; and,

WHEREAS

Pursuant to RCW 36.70A.020, goals are set forth to guide the development and adoption of comprehensive plans and adoption of development regulations; and

WHEREAS

Selah Municipal Code Title 10 contains zoning and subdivision regulations that govern the City's administrative procedures for development actions; and,

WHEREAS

The City of Selah last amended its sign regulations in 2004; and,

WHEREAS

Environmental Review was conducted under the State Environmental Policy Act (SEPA). A Determination of Nonsignificance (DNS) was issued on May 6, 2019.

WHEREAS

Public notice of the public hearing was published in the official newspaper of the City and sent to all parties who expressed interest in the development regulations through the public review and SEPA processes on April 22, 2019; and,

WHEREAS

At its May 9, 2019, public hearing, the Selah Planning Commission heard the staff presentation regarding the proposed development regulation amendments, took public testimony, and recommended approval of the proposed amendments; and,

Now therefore, the Selah Planning Commission presents the following findings and recommendations to the Selah City Council:



Based upon a review of the information contained in the staff report, exhibits, testimony and other evidence presented at an open record public hearing held on May 7, 2019, the Planning Commission makes the following:

PURPOSE AND DESCRIPTION OF PROPOSED AMENDMENTS:

The proposed development regulation amendments to SMC Title 10 are for the purpose of providing for the establishment and exemption of City sponsored welcome and wayfinding signage from the provisions of SMC 10.38 Sign Regulations, and to allow the construction of a new city welcome sign.

FINDINGS OF FACT

1. Environmental Review was conducted under the State Environmental Policy Act (SEPA). A Determination of Nonsignificance (DNS) was issued on May 6, 2019.
2. The Planning Commission considered the proposed development regulation Ordinance amendments at a public hearing on May 7, 2019.
3. Public notice of the public hearing was published in the official newspaper a minimum of 10-days prior to the Planning Commission's public hearing on April 22, 2019.

CONCLUSIONS

1. The proposed development regulation revisions, of SMC Title 10.38 Signs, meets the requirements of the Growth Management Act.
2. The proposed sign amendments are consistent with and implement the Comprehensive Plan. They are consistent with the Growth Management Act and other requirements of State law.
3. The public use and interest will be served.
4. The proposed amendments will provide and allow for the construction and placement of both city welcome and wayfinding signage.

MOTION

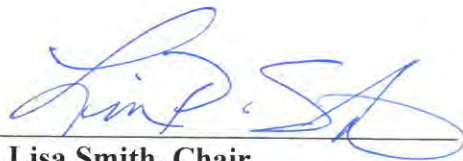
Based on the testimony and evidence presented during the public hearing, I move that the Planning Commission adopt the findings of fact and order that the draft ordinance dated May 7, 2019 be forwarded to the Selah City Council with a recommendation of approval of the proposed amendments of Chapters 10.38 Signs of the Selah Municipal Code.

Having made the above Findings of Fact and Conclusions, the Planning Commission hereby renders its

RECOMMENDATION TO THE CITY COUNCIL

The Planning Commission of the City of Selah, having received and considered all evidence and testimony presented at the public hearing and having received and reviewed the record herein, hereby recommends that the City Council APPROVE the development regulation amendments and forwards the proposed ordinance to the Selah City Council.

RECOMMENDED this 7th day of May 2019.

By: 
Lisa Smith, Chair
Selah Planning Commission